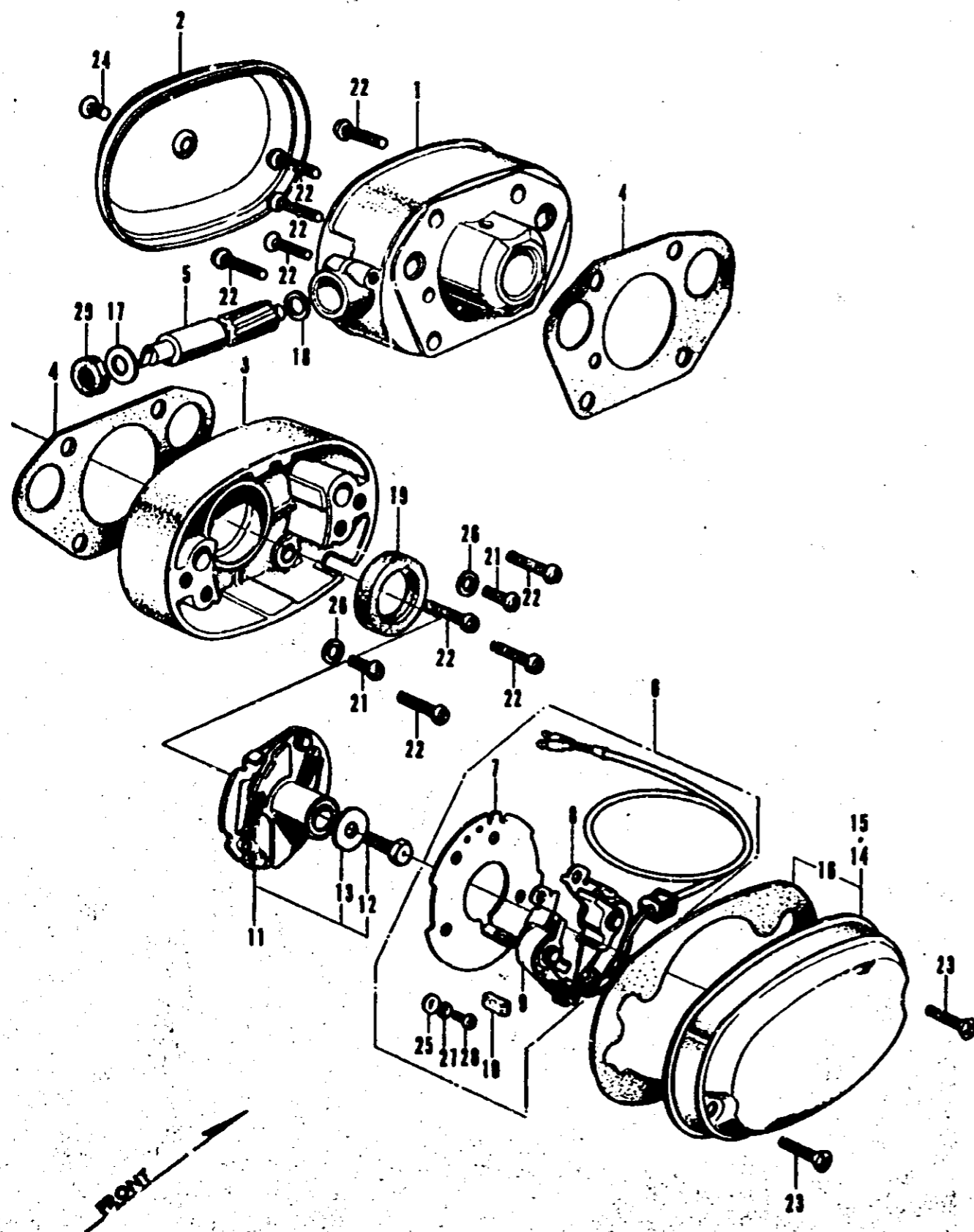




E-2 R. & L. Cylinder Head Cover - Breaker - Advancer

E-2 R. & L. Cylinder Head Cover - Breaker - Advancer



Ref. No.	Part No.	Description	Reqd. Qty.				Remarks
			250K2	350K2	81	81	
1	12331-286-080	COVER, right cyunder head side .....	1	1	1	1	
2	12332-286-000	COVER, tachometer.....	1	1	1	1	
3	12341-286-060	COVER, left cylinder head side .....	1	1	1	1	
4	12392-286-040	GASKET, right & left side cylinder head cover.....	2	2	2	2	
5	12431-286-020	GEAR, tachometer .....	1	1	1	1	
6	30200-286-004	BREAKER ASSY., contact (NIPPON DENSO) .....	1	1	1	1	
7	30201-286-004	PLATE, contact breaker base (NIPPON DENSO) .....	1	1	1	1	
8	30203-286-004	BREAKER, right contact (NIPPON DENSO) .....	1	1	1	1	
9	30204-286-004	BREAKER, left contact (NIPPON DENSO).....	1	1	1	1	
10	30205-305 014	FELT, oil (NIPPON DENSO) .....	1	1	1	1	
11	30220-286-014	ADVANCER ASSY., spark (NIPPON DENSO) .....	1	1	1	1	
12	30225-286-004	BOLT, setting, spark advancer (NIPPON DENSO) .....	1	1	1	1	
13	30226-286-004	(Superseded by 30226-286-014)					
	30226-286-014	WASHER, setting, spark advancer.....	1	1	1	1	
14	30370-286-030	COVER, point .....	1	1	-	-	
15	30370-298-000	COVER, point .....	-	-	1	1	
16	30372-286-320	GASKET, point cover.....	1	1	1	1	
17	90458-286-000	WASHER, thrust, tachometer gear.....	1	1	1	1	
18	90539-011-000	WASHER, speedometer pinion.....	1	1	1	1	
19	91302-286-023	OIL-SEAL, 22x35x6 (ARAI).....	1	1	1	1	
20	91211-286-003	OIL-SEAL, 4.8x14.5x4 (ARAI).....	1	1	1	1	
21	93500-06012	SCREW, pan, 6x12.....	2	2	2	2	
22	93500-06020	SCREW, pan, 6x20.....	8	8	8	8	
23	93700-06020-0B	SCREW, oval, 5x20 .....	3	3	3	3	
24	93700-06010-02	SCREW, oval, 6x10 .....	1	1	1	1	
25	94101-04000	WASHER, plain, 4 mm .....	2	2	2	2	
26	94101-06000	WASHER, plain, 6 mm .....	2	2	2	2	
27	94111-04000	WASHER, spring, 4 mm .....	2	2	2	2	
28	99500-04005-0A	SCREW, pan, hollow, 4x5 .....	2	2	2	2	