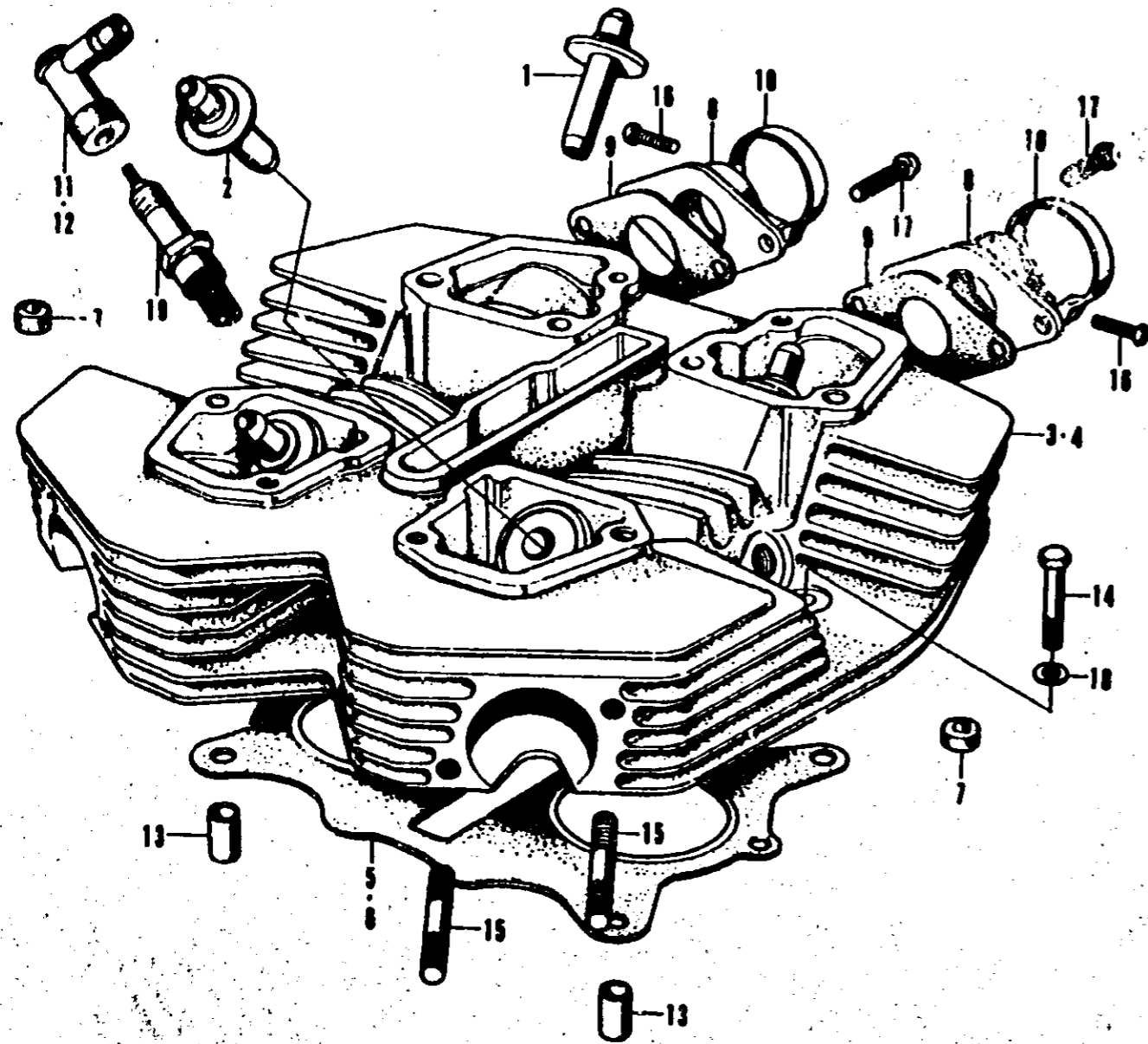


### E-4 Cylinder Head - Sparking Plug

### E-4 Cylinder Head - Sparking Plug



FRONT

Ref. No.	Part No.	Description	Reqd. No.				Remarks
			250K2	350K2	01 01 01 01	01 01 01 01	
11	30600-568-620	TERMINAL ASSY., hightension .....	2	2	2	2	
12	30700-259-810	CAP ASSY., noise suppressor .....	-	-	2	2	
		(Used in U.S.A.)					
13	91356-286-000	PIN, dowel, 11x18A .....	2	2	2	2	
14	92000-06025	BOLT, hex., 6x25 .....	2	2	2	2	
15	92700-08066-05	BOLT, stud, 8x56 .....	4	4	4	4	CB(CL)250E- ~3018116 CB(CL)350E- ~2078009
	90041-286-300	BOLT, st .1, 8x58 .....	4	4	4	4	CB(CL)250E-3018117~ CB(CL)350E-2078010~
16	93500-04020-0A	SCREW, pan, 4x20 .....	2	2	2	2	
17	93500-06016	SCREW, pan, 6x16 .....	4	4	4	4	
18	94101-06000	WASHER, plain, 6 mm .....	3	2	2	2	
19	98079-54810	PLUG, spark (B-4E) .....	(3)	(2)	(3)	(2)	
	98079-56810	PLUG, spark (B-6E) .....	(3)	(2)	(3)	(2)	
	98079-57840	PLUG, spark (B-7ES) .....	(3)	(2)	(3)	(2)	
	98079-58840	PLUG, spark (B-8ES) .....	2	2	2	2	
	98079-59840	PLUG, spark (B-9E) .....	(3)	(2)	(3)	(2)	
	98079-60810	PLUG, spark (B-10E) .....	(3)	(2)	(3)	(2)	