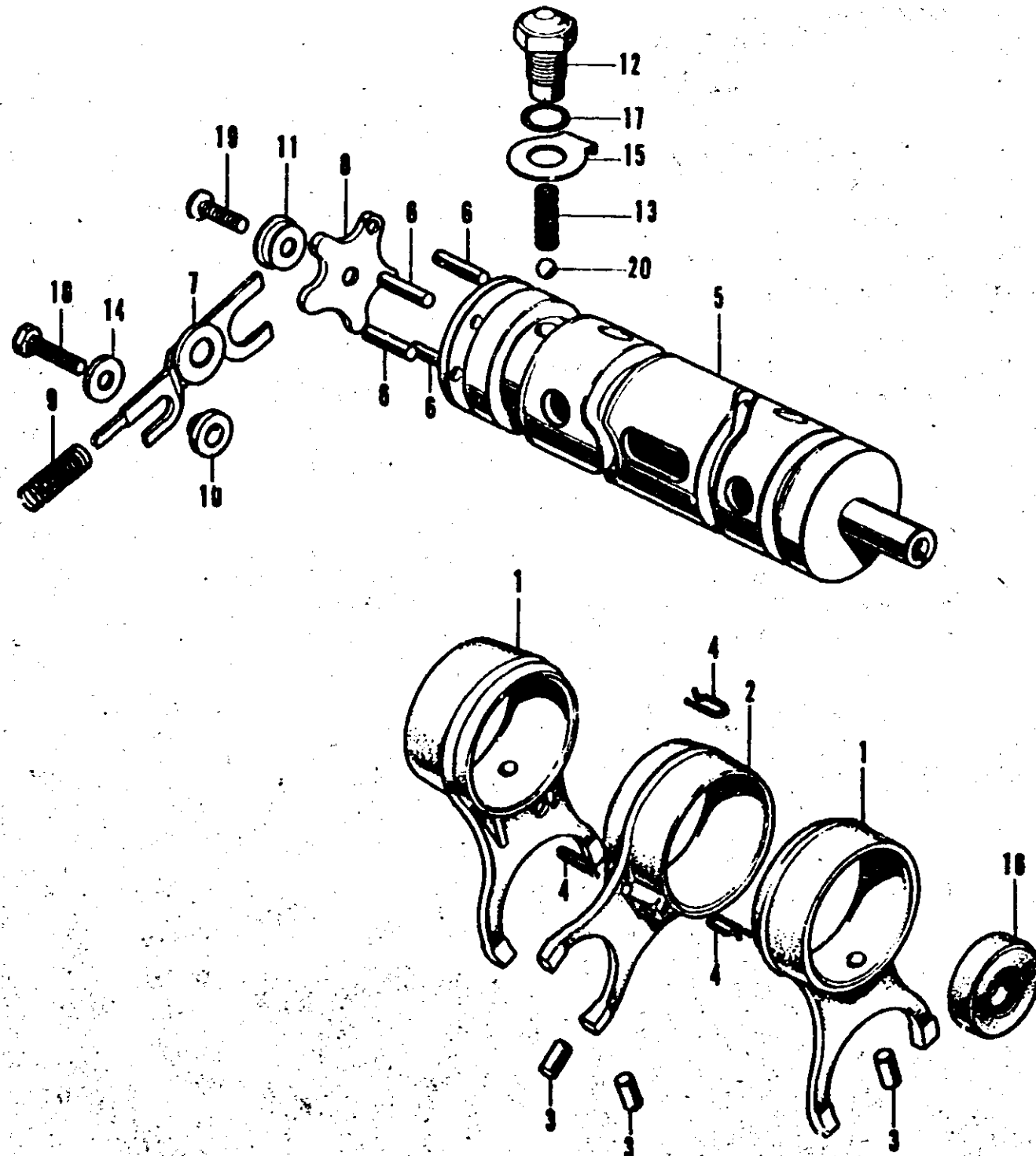


E-16 Shift Drum · Shift Fork

E-16 Shift Drum · Shift Fork



Ref. No.	Part No.	Description	Reqd. No.				Remarks
			250K2	350K2	60	61	
1	24211-286-020	FORK A, gear shift.....	2	2	2	2	
2	24212-286-030	FORK B, gear shift.....	1	1	1	1	
3	24261-283-000	PIN, gear shift fork guide.....	3	3	3	3	
4	24263-286-000	CLIP, gear shift fork guide pin	3	3	3	3	
5	24301-286-050	DRUM, gear shift.....	1	1	1	1	
6	24421-230-000	PIN, gear shift drum	4	4	4	4	
7	24430-286-030	STOPPER, shift drum	1	1	1	1	
8	24434-286-020	PLATE, drum stopper cam	1	1	1	1	
9	24435-286-020	SPRING, shift drum	1	1	1	1	
10	24438-283-000	COLLAR, shift drum stopper	1	1	1	1	
11	24438-286-000	COLLAR, shift drum stopper	1	1	1	1	
12	24445-286-020	SCREW, shift drum guide.....	1	1	1	1	
13	24447-286-000	SPRING, neutral stopper	1	1	1	1	
14	90417-041-000	WASHER, shift drum side	1	1	1	1	
15	90434-286-000	WASHER, lock, 12 mm	1	1	1	1	
16	91201-283-000	OIL-SEAL, 12x25x45	1	1	1	1	
17	91304-216-000	O-RING, 11.5x2	1	1	1	1	
18	92000-06020	BOLT, hex, 6x20	1	1	1	1	
19	93600-06020	SCREW, flat, 6x20	1	1	1	1	
20	96211-10000	BALL, steel, #10 (5/16").....	1	1	1	1	

FRONT