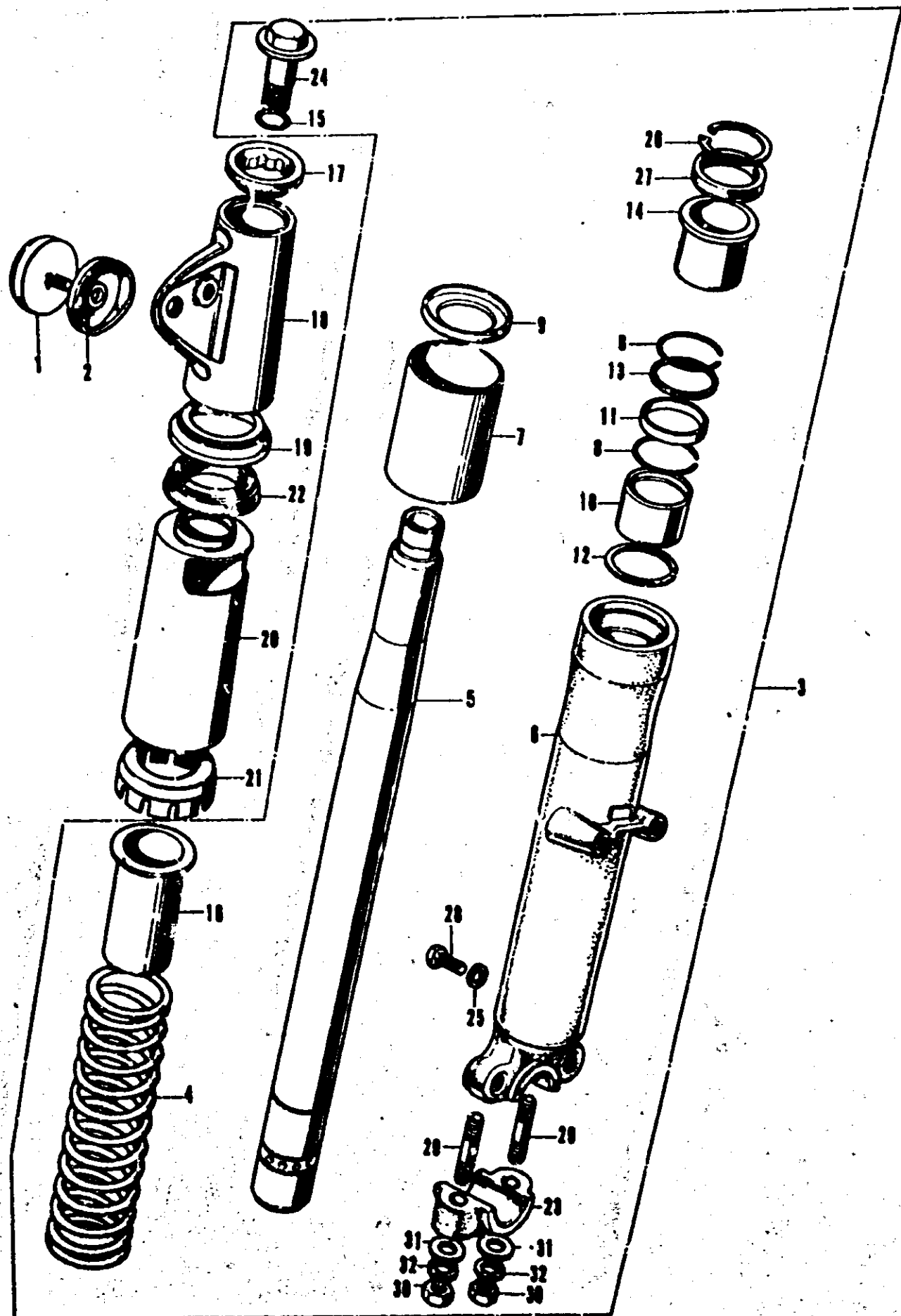


## F-6 Right Front Cushion (Cover Type)

## F-6 Right Front Cushion (Cover Type)



Ref. No.	Part No.	Description	Reqd. No.			Remarks
			250K2	350K2	11 11 11 11	
21	51619-286-000	GUIDE, under fork cover .....	1	1	-	
22	51622-286-010	CUSHION B, front fork cover .....	1	1	-	
23	51634-292-300	HOLDER, front axle .....	1	1	-	
24	90123-292-780	BOLT, front fork .....	1	1	-	
25	90543-273-000	PACKING, fork drain cock .....	1	1	-	
26	90601-286-000	CIR-CLIP, internal, 44 mm .....	1	1	-	
27	91755-286-003	OIL-SEAL, 33449 (ARAI) .....	1	1	-	
	91255-286-005	OIL-SEAL, 33449 (N. O. K.) .....	1	1	-	
28	92000-06008-0B	BOLT, hex., 6x8 .....	1	1	-	
29	92700-08049-0B	BOLT, stud, 8x49 .....	2	2	-	
30	94030-08000	NUT, hex., 8 mm .....	2	2	-	
31	94101-08000	WASHER, plain, 8 mm .....	2	2	-	
32	94111-08000	WASHER, spring, 8 mm .....	2	2	-	