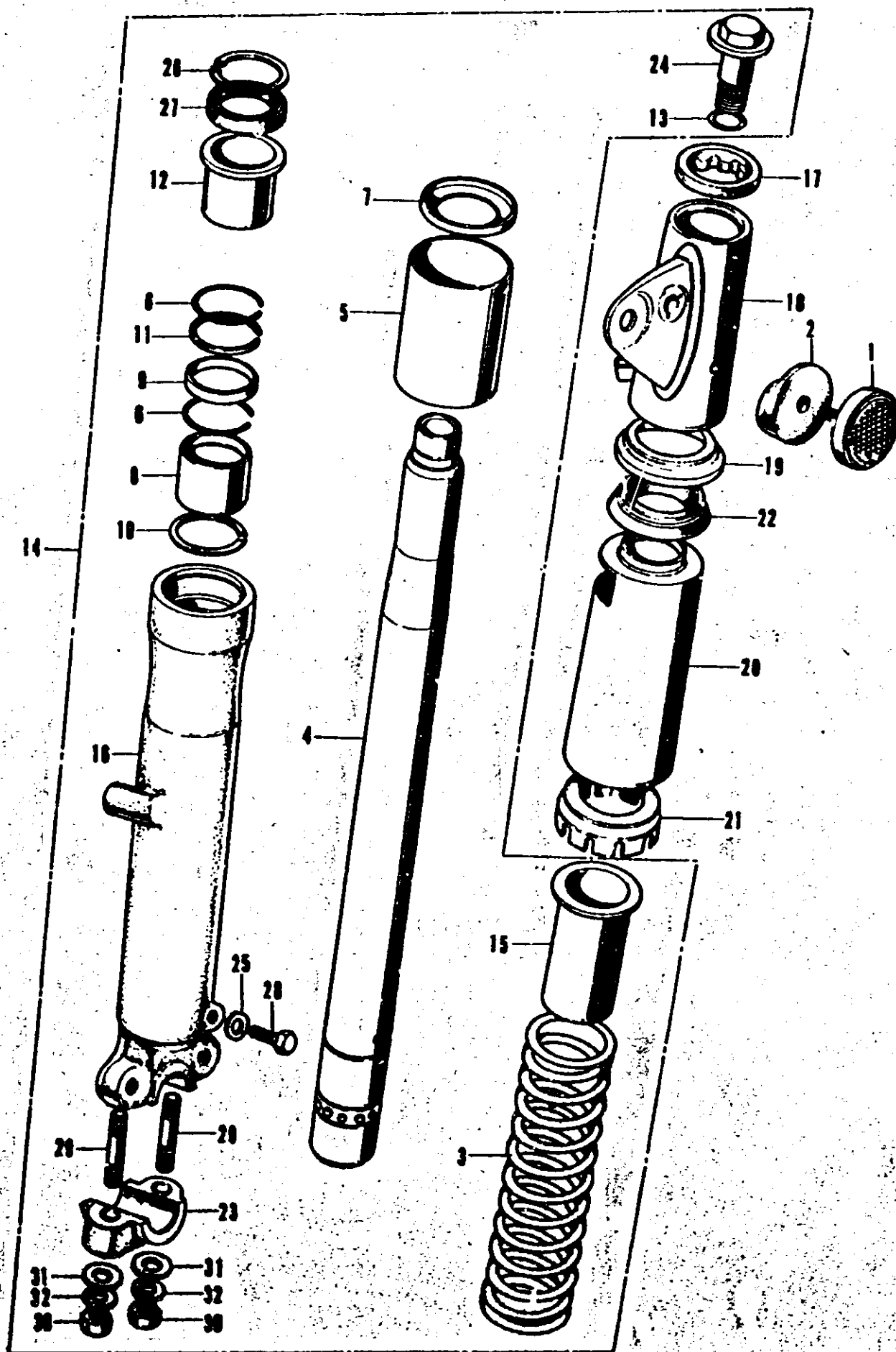


F-8 Left Front Cushion (Cover Type)

F-8 Left Front Cushion (Cover Type)



Ref. No.	Part No.	Description	Reqd. No.		Remarks
			250K2	350K2	
21	51619-286-000	GUIDE, under fork cover	1	1	
22	51522-286-010	CUSHION B, front fork cover	1	1	
23	51634-292-000	HOLDER, front axle	1	1	
24	90123-292-780	BOLT, front fork	1	1	
25	90543-273-000	PACKING, fork drain cock	1	1	
26	90601-286-000	CIR-CLIP, internal, 44 mm	1	1	
27	91255-286-003	OIL-SEAL, 33449 (ARAI)	1	1	
	91255-286-005	OIL-SEAL, 33449 (N.O.K.)	1	1	
28	92000-06008-0B	BOLT, hex., 6x8	1	1	
29	92700-38049-0B	BOLT, stud, 8x49	2	2	
30	94030-08000	NUT, hex., 8 mm	2	2	
31	94101-08000	WASHER, plain, 8 mm	2	2	
32	94111-08000	WASHER, spring, 8 mm	2	2	