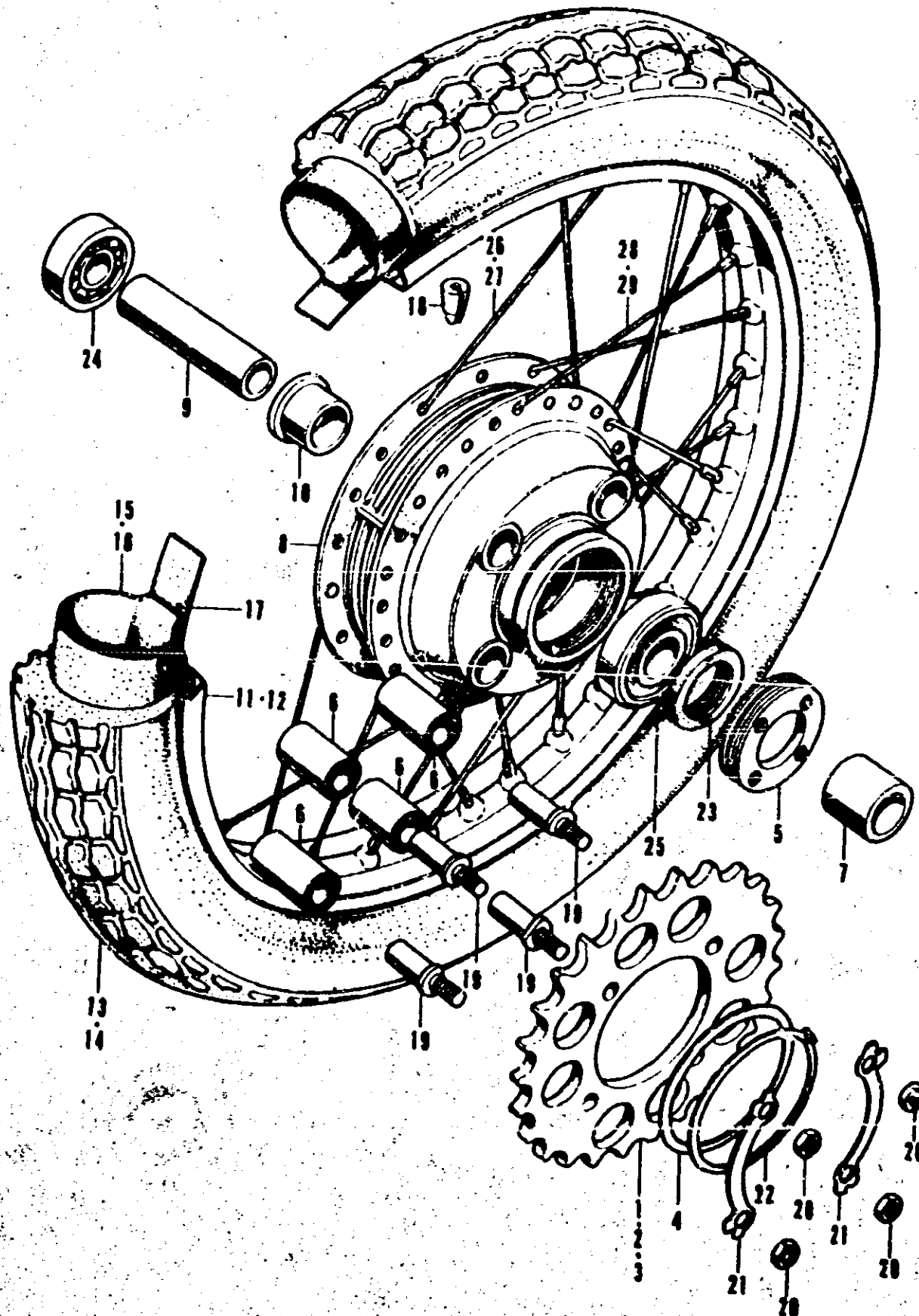


E 16

F-17 Rear Wheel

F-17 Rear Wheel



Ref. No.	Part No.	Description	Reod. No.				Remarks
			250K2	350K2	83 81	83 81	
21	90622-786-000	WASHER, tongued, 10 mm	2	2	2	2	
22	50665-286-000	CIR-CLIP, external, 69 mm	1	1	1	1	
23	91253-286-013	DUST-SEAL, 30-45-9.5 (ARAI) ..	1	1	1	1	
24	96140-63030-10	BEARING, radial ball, 6303U	1	1	1	1	
25	96140-63040-10	BEARING, radial ball, 6304U	1	1	1	1	
26	97339-521571	SPOKE B, #9x158.5 (Inside)	-	18	-	18	
27	97339-521591	SPOKE B, #9x159.5 (Inside)	18	-	18	-	
28	97715-521561	SPOKE B, #9x158.0 (Outside).....	-	18	-	18	
29	97715-521581	SPOKE B, #9x159.0 (Outside).....	18	-	18	-	