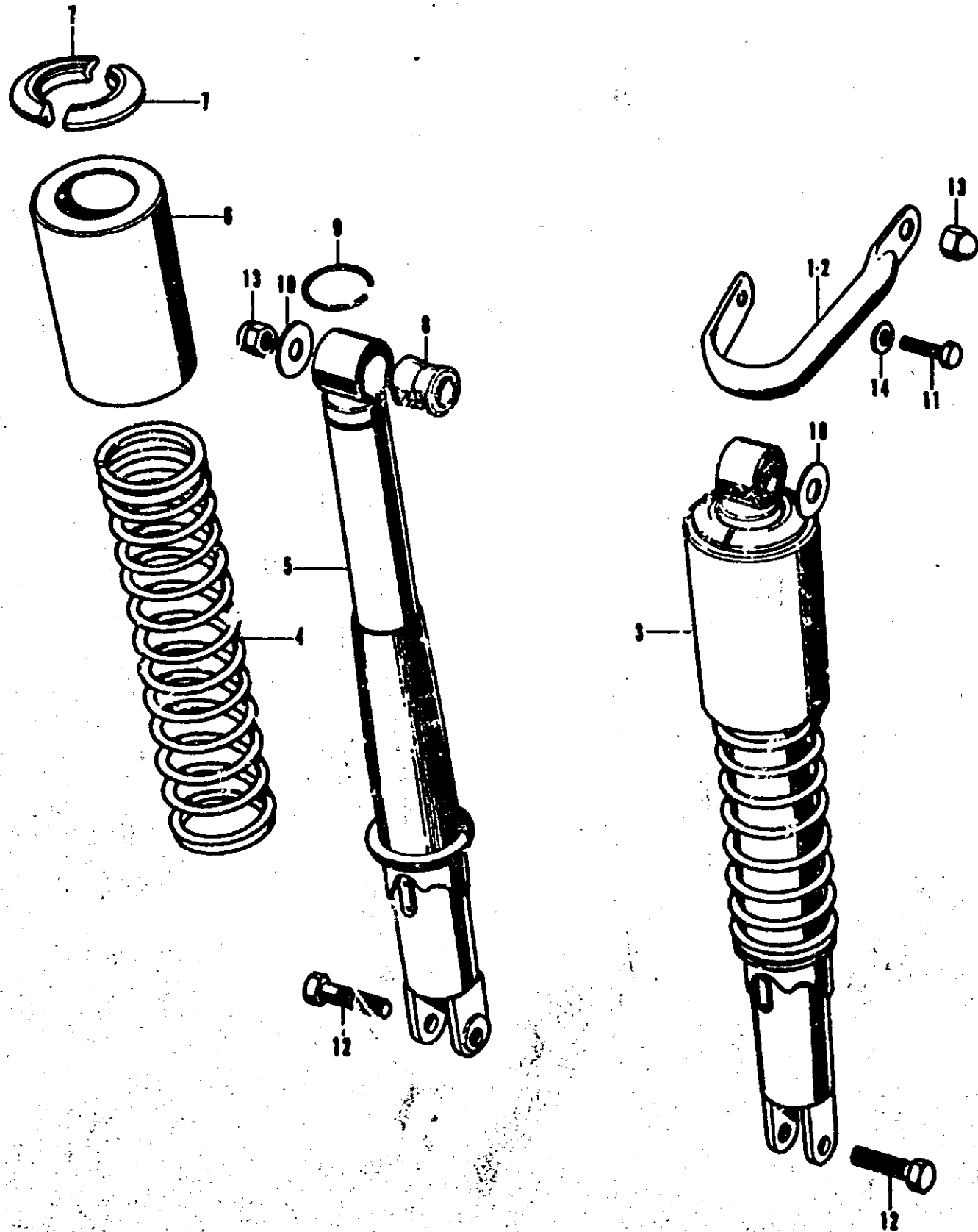


F 1

F-18 Rear Cushion

F-18 Rear Cushion



Ref. No.	Part No.	Description	Reqd. No.				Remarks
			250K2	350K2	81	81	
1	50316-285-000	GRIP, side	1	1	-	-	
2	50316-318-000	GRIP, side	-	1	-	1	
3	52400-317-670XW	CUSHION ASSY., rear (Chrome)	2	2	2	2	
4	52401-286-670	SPRING, rear cushion	2	2	2	2	
5	52410-317-670	DAMPER ASSY., rear cushion	2	2	2	2	
6	52421-292-670XW	CASE, upper, rear cushion (Chrome)	2	2	2	2	
7	52424-292-000	STOPPER, spring seat	4	4	4	4	
8	52484-292-000	RUBBER, joint	2	2	2	2	
9	52485-300-000	CLIP, spring seat stopper	2	2	2	2	
10	90627-230-000	WASHER, 10.3 mm	2	2	2	2	
11	92000-06012	BOLT, hex., 6x12	1	1	1	1	
12	93000-10032-0B	BOLT, hex., 10x32	1	1	1	1	
13	94222-10000-0S	NUT, hex., cap, 10 mm	2	2	2	2	
14	94101-06000	WASHER, plain, 6 mm	1	1	1	1	