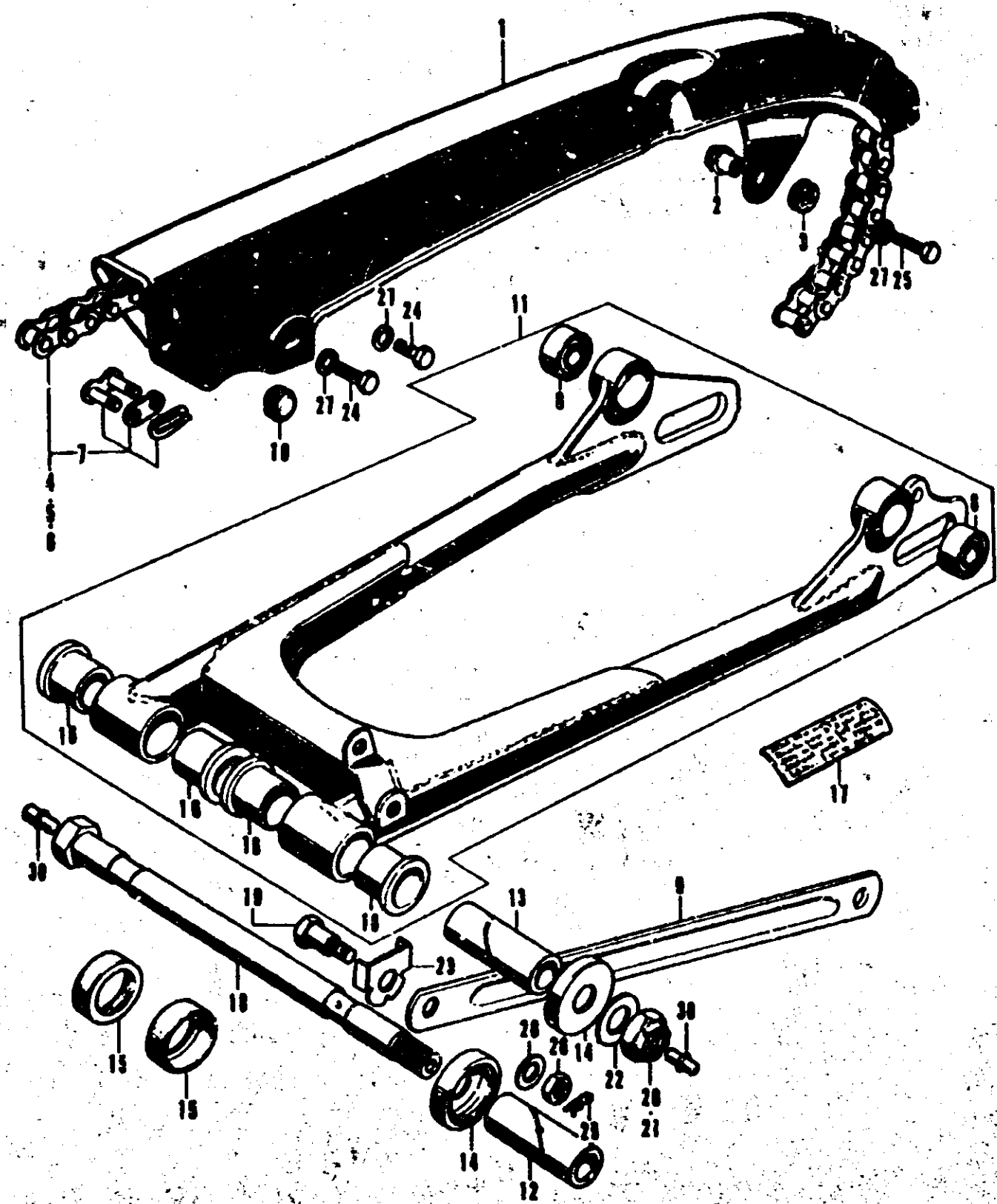


F 2

F-19 Drive Chain - Case - Rear Fork

F-19 Drive Chain - Case - Rear Fork



Ref. No.	Part No.	Description	Reqd. No.				Remarks
			25	K2	350K2	80 81 82 81	
1	40510-317-000B	CASE, drive chain (Black)	1	1	1	1	
2	40512-317-000	NUT, chain case setting	1	1	1	1	
3	40513-310-000	RUBBER, chain case mount	1	1	1	1	
4	40530-286-003	CHAIN, drive (DID. 50D-96L, DAIDO)	1	-	-	1	
5	40530-287-003	CHAIN, drive (DID. 50D-94L, DAIDO)	-	-	1	-	
6	40530-290-003	CHAIN, drive (DID, 50D-96L, DAIDO)	-	1	-	-	
7	40531-286-003	JOINT, drive chain (DID. 50D, DAIDO)	1	1	1	1	
8	40548-268-000	BUSH, under rear cushion	2	2	2	2	
9	43431-286-010	ARM, rear brake stopper	1	1	1	1	
10	50318-041-600	PLUG, useless hole	1	1	1	1	
11	52100-317-000B	FORK COMP., rear (Black)	1	1	1	1	
12	52141-268-000	COLLAR, rear fork center	1	1	1	1	
13	52141-286-000	COLLAR, rear fork center	1	1	1	1	
14	52144-268-000	CAP, rear fork dust-seal	2	2	2	2	
15	52145-268-000	RUBBER, rear fork dust-seal cap	2	2	2	2	
16	52174-286-300	BUSH, rear fork pivot	4	4	4	4	
17	87504-028-670	MARK, muffler caution (Used in U.S.A.)	-	-	1	1	
18	90121-286-000	BOLT, rear fork pivot	1	1	1	1	
19	90133-286-000	BOLT, rear brake stopper arm	1	1	1	1	
20	90354-268-000	NUT, self lock, 14mm	1	-	1	-	
21	90354-290-303	NUT, self lock, 14mm	-	1	-	1	
22	90526-216-000	WASHER, 14.25	1	-	1	-	
23	90532-286-000	WASHER, to gued, 10mm	1	1	1	1	
24	92000-06012	BOLT, hex, 6x12	2	2	2	2	
25	92000-06022	BOLT, hex, 6x22	1	1	1	1	
26	94002-08000-05	NUT, hex, 8mm	1	1	1	1	
27	94101-06000	WASHER, plain, 6mm	3	3	3	3	
28	94101-08000	WASHER, plain, 8mm	1	1	1	1	
29	94251-08000	PIN, lock, 8mm	1	1	1	1	
30	96201-30000	NIPPLE, grease, IF45	2	2	2	2	