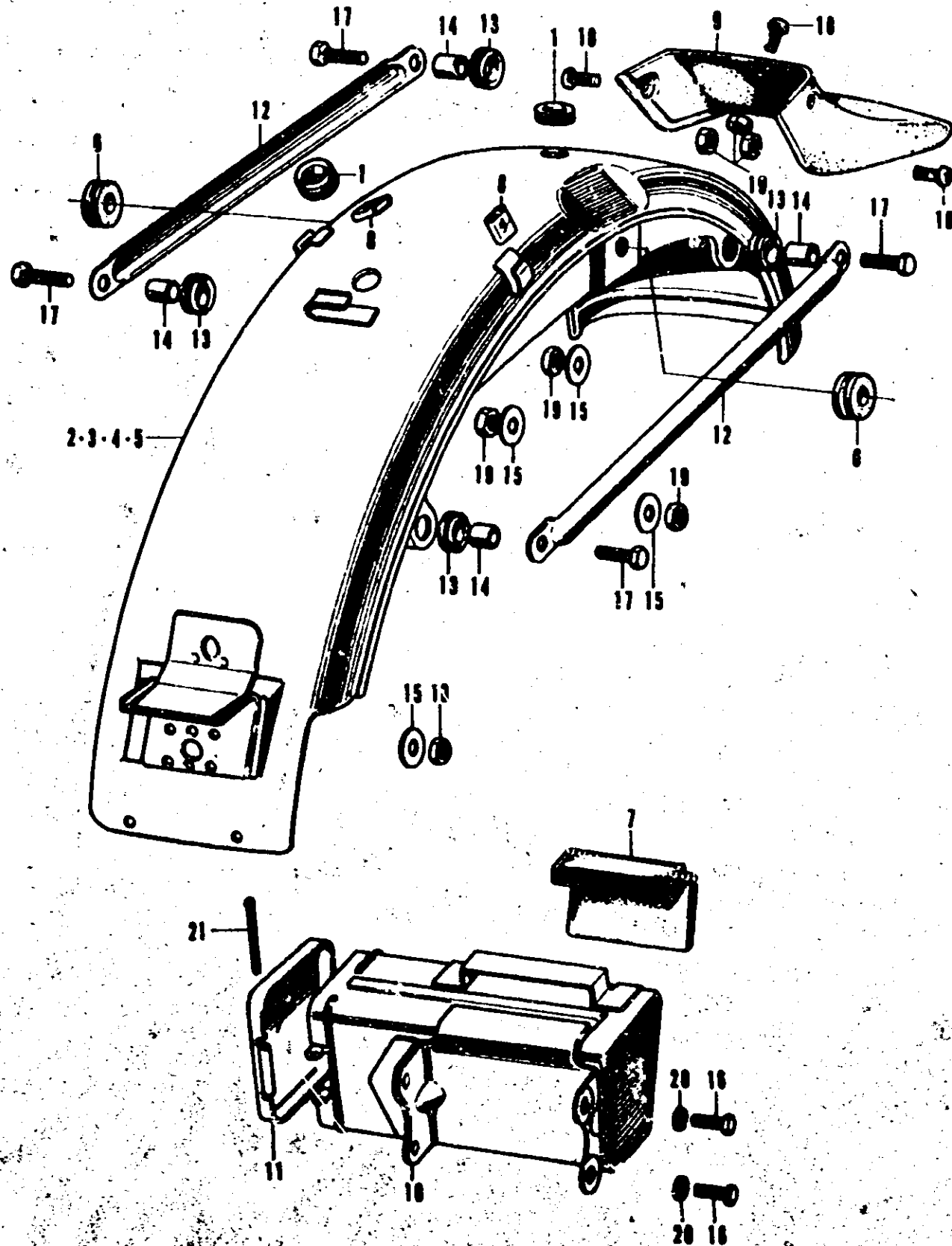


# F 3

## F-20 Rear Fender - Tool Box

## F-20 Rear Fender - Tool Box



Ref. No.	Part No.	Description	Reqd. No.				Remarks
			250K2	350K2	11	11	
1	32983-011-000	GROMMET, wire cord .....	2	2	2	2	
2	80100-286-040XW	FENDER COMP., rear (Chrome) .....	1	1	1	1	
3	80100-286-001XW	FENDER COMP., rear (Chrome) .....	1	1	-	-	(Used in England)
4	80100-286-611XW	FENDER COMP., rear (Chrome) .....	1	1	1	1	(Used in Germany, France & Sweden)
5	80100-286-674XW	FENDER COMP., rear (Chrome) .....	-	-	1	1	(Used in U.S.A.)
6	80102-292-670	RUBBER, rear fender set .....	2	2	2	2	
7	80103-286-030	RUBBER B, rear fender set .....	1	1	1	1	
8	80103-319-670	TUBE, clip .....	2	2	2	2	
9	80121-286-000	MUDGUARD, rear fender .....	1	1	1	1	(Not used in U.S.A., England, Germany, France & Sweden)
10	83500-225-030B	BOX COMP., tool (Black) .....	1	1	1	1	
11	83541-286-000B	CAP, tool box (Black) .....	1	1	1	1	
12	84101-286-010	BUMPER, rear .....	2	2	2	2	(Not used in England, Germany, France & Sweden)
13	84705-292-000	RUBBER, number bracket cushion .....	4	4	4	4	(Not used in England, Germany, France & Sweden)
14	84706-286-000	COLLAR, number bracket set .....	4	4	4	4	(Not used in England, Germany, France & Sweden)
15	90581-701-000	WASHER, 18 mm .....	4	4	4	4	(Not used in England, Germany, France & Sweden)
16	92000-06012	BOLT, hex., 6x12 .....	4	4	4	4	
17	92000-06016-02	BOLT, hex., 6x16 .....	4	4	4	4	
18	93500-06016-49	SCREW, pan, 6x16 .....	3	3	3	3	
19	94002-06000	NUT, hex., 6 mm .....	7	7	7	7	
20	94111-06000	WASHER, spring, 6 mm .....	4	4	4	4	
21	94201-30320	PIN, split, 2.0x32 .....	1	1	1	1	

CB250-3023398~  
 CL250-3004915~  
 CB350-2063950~  
 CL350-2036262~