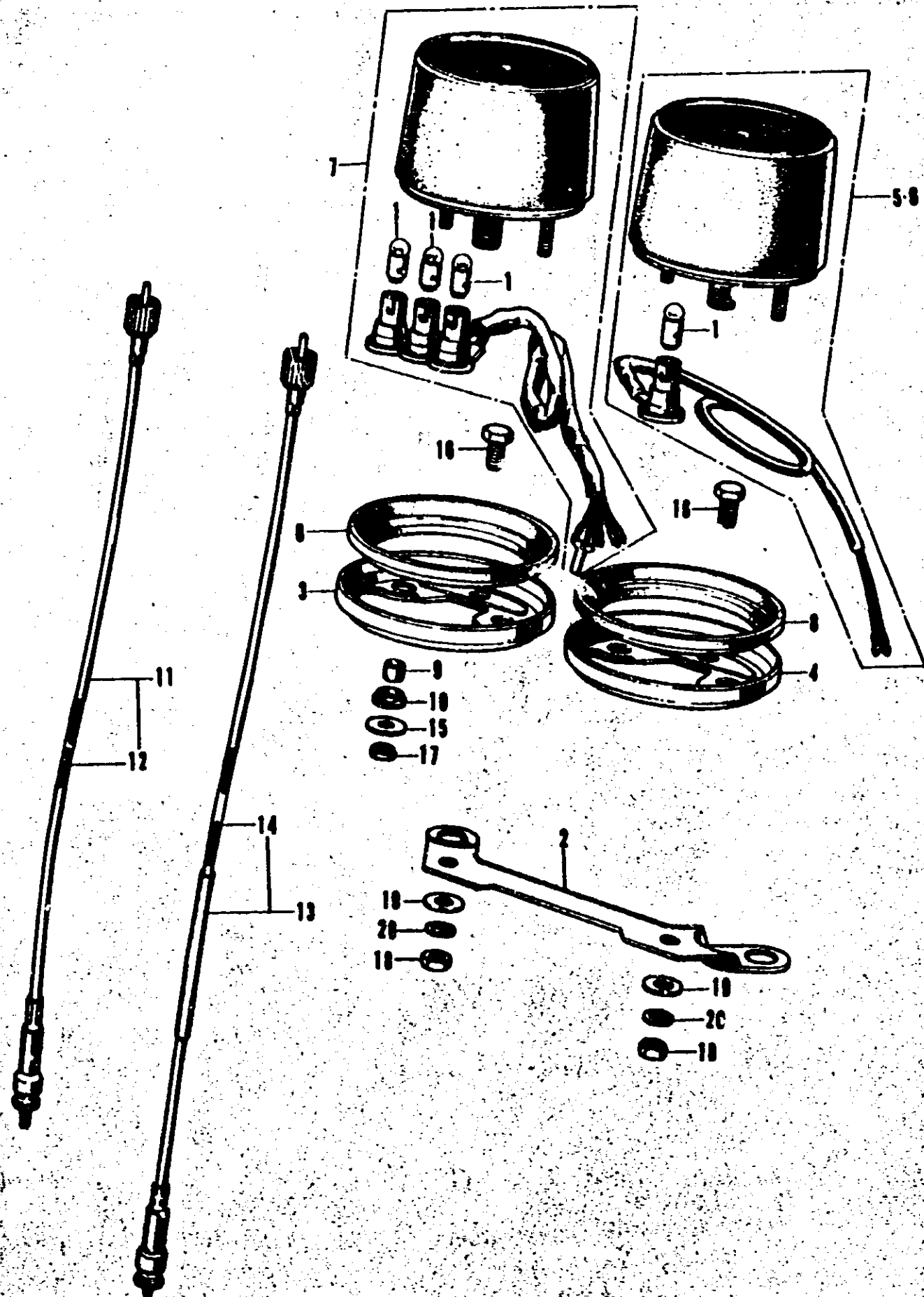


## F-21 Speedometer - Tachometer

## F-21 Speedometer - Tachometer



Ref. No.	Part No.	Description	Repl. No.			Remarks	
			250K3	350K3	68 61 69 81		
1	34902-259-000	BULB, dash (12V 3W) .....	4	4	4	4	
2	37211-317-000	BRACKET, meter .....	1	1	1	1	
3	37212-307-670	RING, right meter set.....	1	1	1	1	
4	37213-307-670	RING, left meter set .....	1	1	1	1	
5	37230-307-671	SPEEDOMETER ASSY., (Mile) (Used in U.S.A. England, Australia & General export)	1	1	1	1	
6	37240-307-680	SPEEDOMETER ASSY., (KM) (Used in Germany, France, Sweden & General export)	1	1	1	1	
7	37240-307-671	TACHOMETER ASSY., .....	1	1	1	1	
8	37242-307-670	CUSHION, meter.....	2	2	2	2	
9	37243-307-670	COLLAR, speedometer set .....	4	4	4	4	
10	37244-307-670	RUBBER, meter set.....	4	4	2	2	
11	37260-285-000	CABLE ASSY., tachometer .....	1	1	1	1	
12	37261-285-000	CABLE, inner, tachometer.....	1	1	1	1	
13	44830-285-000	CABLE ASSY., speedometer .....	1	1	1	1	
14	44831-285-000	CABLE, inner, speedometer.....	1	1	1	1	
15	90581-701-000	WASHER, 18 mm.....	4	4	4	4	
16	92000-08016-0A	BOLT, hex., 8x16 .....	2	2	2	2	
17	94001-06000	NUT, hex., 6 mm .....	4	4	4	4	
18	94001-08000-0S	NUT, hex., 8 mm .....	2	2	2	2	
19	94101-08000	WASHER, plain, 8 mm .....	2	2	2	2	
20	94111-08000	WASHER, spring, 8 mm .....	2	2	2	2	