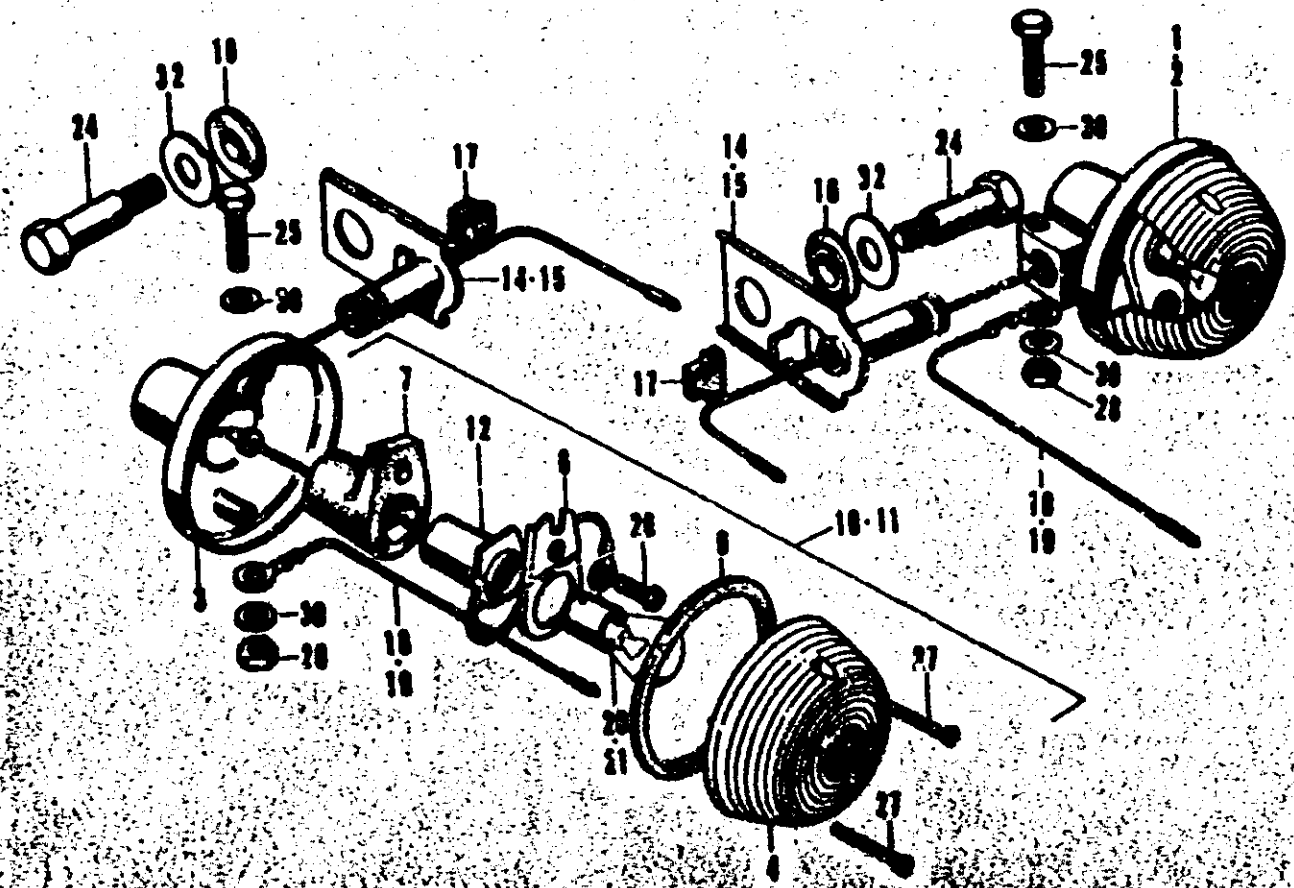
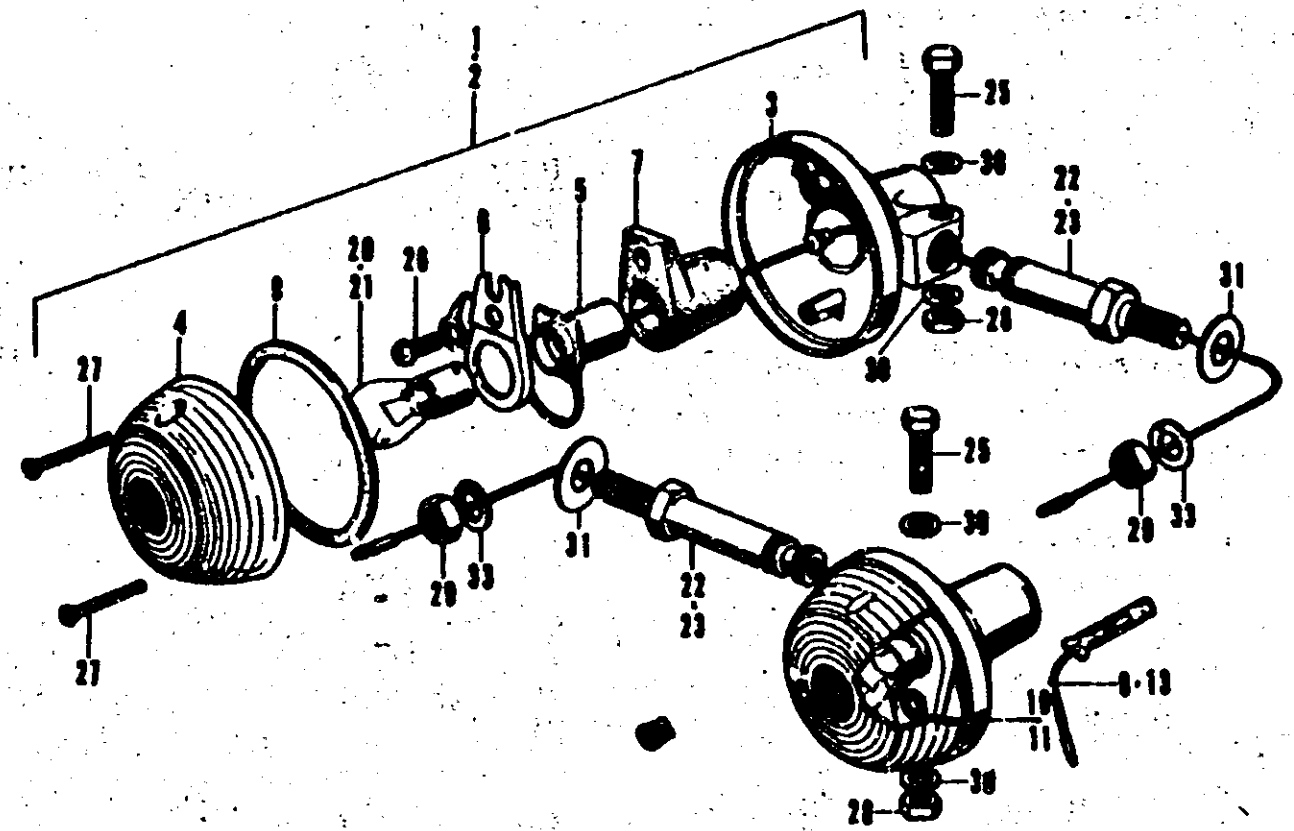


# F 9

## F-26 Winker (Not used in Germany & Sweden)

## F-26 Winker (Not used in Germany & Sweden)



Ref. No.	Part No.	Description	Reqd. No.				Remarks
			250K2	350K2	11	11	
1	33400-292-003	WINKER ASSY., right (STANLEY)	2	2	2	2	
2	33400-292-670	WINKER ASSY., right (Used in U.S.A. & England)	2	2	2	2	
3	33401-292-003	BASE, winker (STANLEY)	4	4	4	4	
4	33402-268-671	LENS, winker	4	4	4	4	
5	33402-292-003	SOCKET COMP., right winker (STANLEY)	2	2	2	2	
6	33407-284-000	HOLDER, winker socket (STANLEY)	4	4	4	4	
7	33408-284-000	CUSHION, winker rubber	4	4	4	4	
8	33410-292-000	SUB-CORD, right front winker (Used in Australia as right front & rear winker sub-cord)	1	1	1	1	
9	33443-268-671	PACKING, winker lens	4	4	4	4	
10	33450-292-003	WINKER ASSY., left (STANLEY)	2	2	2	2	
11	33450-292-670	WINKER ASSY., left (Used in U.S.A. & England)	2	2	2	2	
12	33453-292-003	SOCKET COMP., left winker (STANLEY)	2	2	2	2	
13	33460-292-650	SUB-CORD, left front winker (Used in Australia)	2	2	2	2	
14	33607-286-650B	STAY, rear winker (Black) (Used in Australia)	2	2	2	2	
15	33607-286-871B	STAY, rear winker (Black)	2	2	2	2	
16	33608-286-000	RUBBER B, rear winker mount	2	2	2	2	
17	33609-286-000	RUBBER rear winker setting	2	2	2	2	
18	33610-286-670	CORD, rear winker earth	2	2	2	2	
19	33620-292-000	CORD, rear winker earth (Used in Australia)	2	2	2	2	
20	34935-268-671	BULB, winker (12V 25W) (Used in U.S.A. & England)	4	4	4	4	
21	34935-284-000	BULL, winker (1 1/2 V10 1/2)	4	4	4	4	
22	90154-268-670	BOLT, light case setting	2	2	2	2	
23	90154-292-610	BOLT, front winker setting (Used in Australia)	2	2	2	2	
24	90155-292-010	BOLT, rear winker setting	2	2	2	2	
25	92000-06028-02	BOLT, hex., 6x28	4	4	4	4	
26	93500-06008-0A	SCREW, pan, 5x8	4	4	4	4	
27	93700-03925-0B	SCREW, oval, 3x25	8	8	8	8	
28	94001-06000	NUT, hex., 6 mm	5	4	4	4	
29	94001-10000-03	NUT, hex., 10 mm	2	2	2	2	
30	94101-06000	WASHER, plain, 6 mm	8	8	8	8	
31	94101-10000	WASHER, plain, 10 mm	2	2	2	2	
32	94101-12000	WASHER, plain, 12 mm	2	2	2	2	
33	94111-10000	WASHER, spring, 10 mm	2	2	2	2	