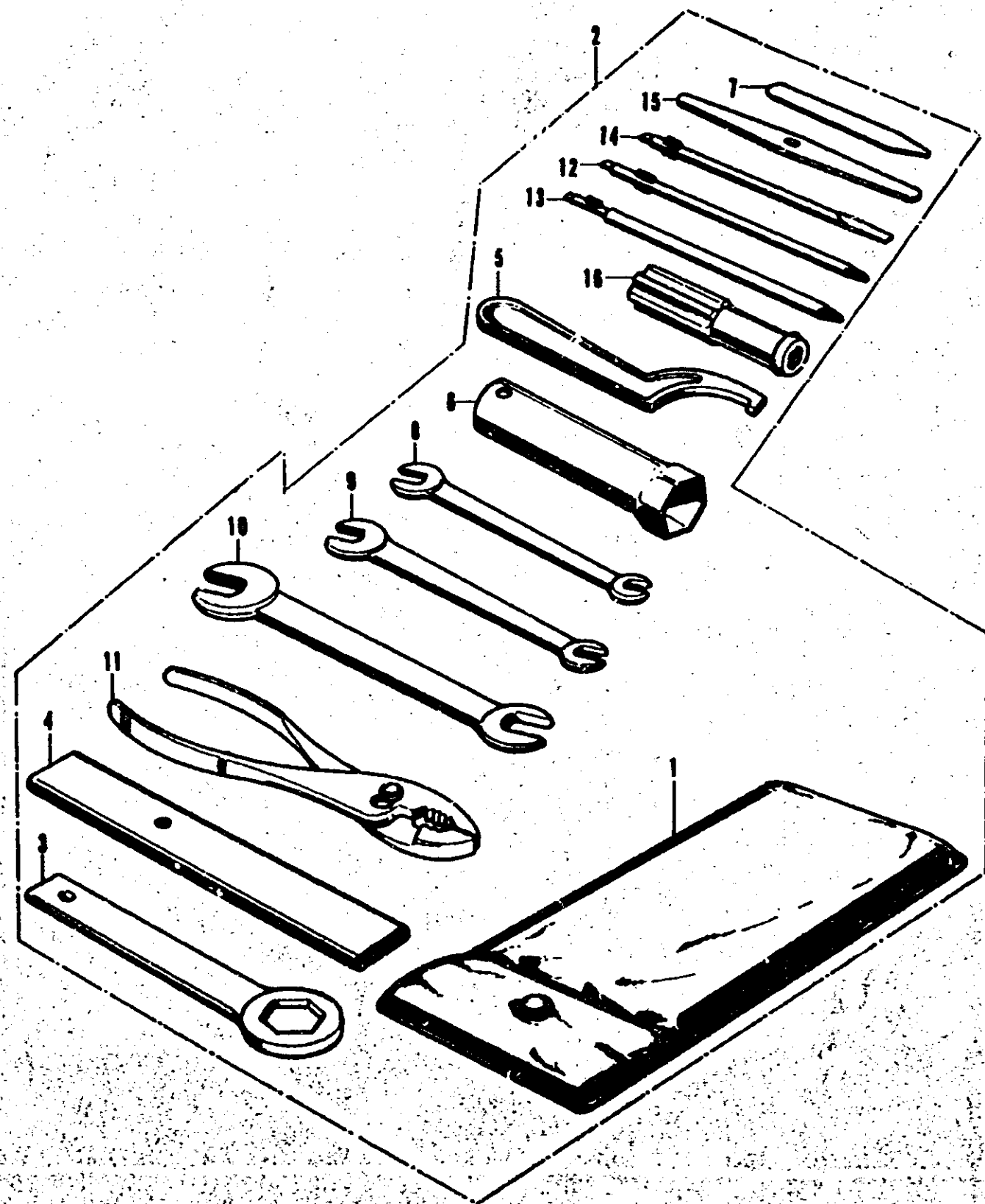


G 4

F-35 Tool

F-35 Tool



Ref. No.	Part No.	Description	Kqd. No.				Remarks
			250K2	350K2	88 81	89 81	
1	83151-806-000	BAG, tool	1	1	1	1	
2	89010-286-680	TOOL-SET.....	1	1	1	1	
3	89202-286-000	WRENCH, axle.....	1	1	1	1	
4	89203-283-000	ARM, axle wrench	1	1	1	1	
5	89206-283-000	SPANNER, pin, 45 mm	1	1	1	1	
6	89216-283-000	BOX, plug	1	1	1	1	
7	89231-001-000	GAUGE, tappet clearance adjusting	1	1	1	1	
8	99001-08120	SPANNER, 8x12.....	1	1	1	1	
9	99001-10140	SPANNER, 10x14	1	1	1	1	
10	99001-17190	SPANNER, 17x19	1	1	1	1	
11	99002-15000	PLIERS, 150 mm	1	1	1	1	
12	99003-10000	DRIVER, plus, #2.....	1	1	1	1	
13	99003-20000	DRIVER, plus, #3.....	1	1	1	1	
14	99003-30000	DRIVER, minus, #2.....	1	1	1	1	
15	99003-40000	LEVER.....	1	1	1	1	
16	99003-50000	GRIP.....	1	1	1	1	