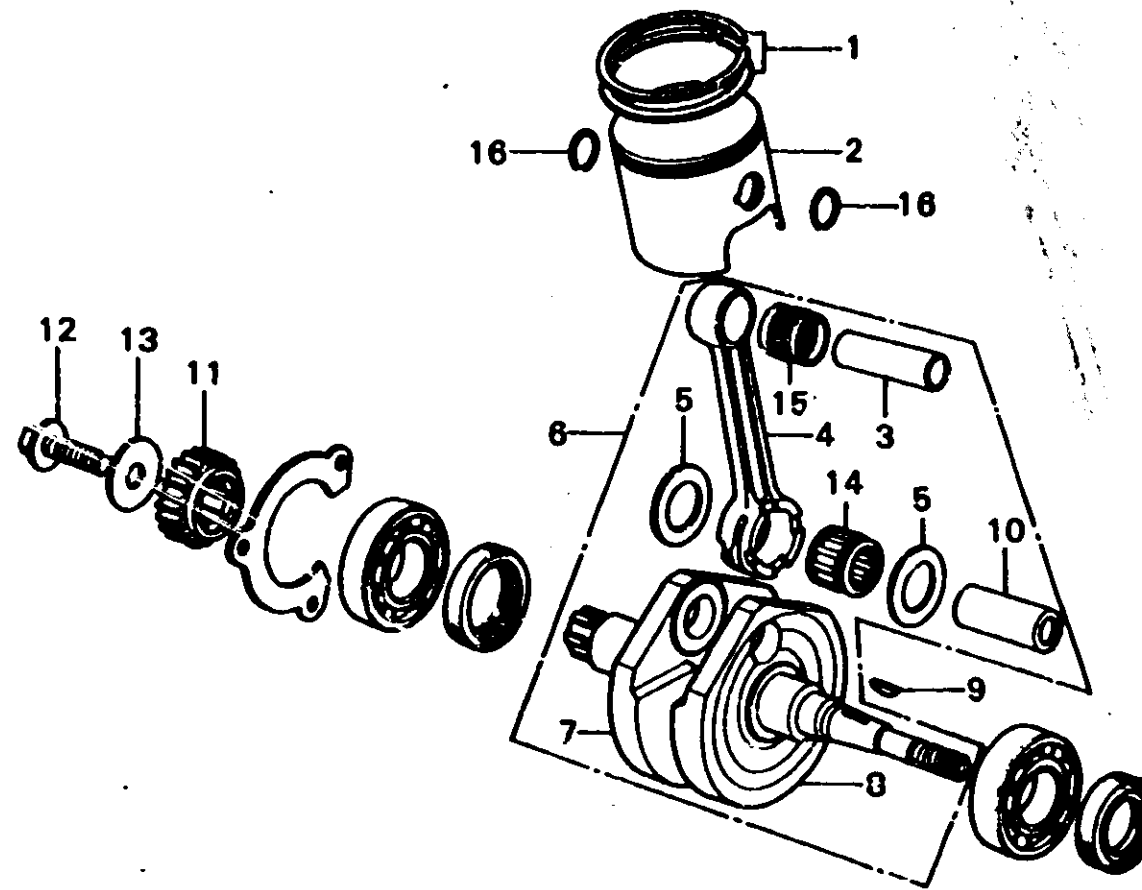


Piston • Crankshaft



8381-04

Service item	F.R.T.	Ref. No.	Part No.	Description	Reqd. No. CH250 M1M2	Serial No.	Area code
			91013-357-004	BEARING 3; CONNECTING ROD LARGE END (KOYO)	1 1		
		15	91014-357-003	BEARING 1; CONNECTING ROD SMALL END (TOYO)	1 1		
			91014-357-004	BEARING 1; CONNECTING ROD SMALL END (KOYO)	1 1		
			91014-357-006	BEARING 1; CONNECTING ROD SMALL END (TONSON)	1 1		
			91015-357-003	BEARING 2; CONNECTING ROD SMALL END 2 (TOYO)	1 1		
			91015-357-004	BEARING 2; CONNECTING ROD SMALL END (KOYO)	1 1		
			91015-357-006	BEARING 2; CONNECTING ROD SMALL END (TONSON)	1 1		
			91016-357-003	BEARING; CONNECTING ROD SMALL END 3 (TOYO)	1 1		
			91016-357-004	BEARING; CONNECTING ROD SMALL END 3 (KOYO)	1 1		
			91016-357-006	BEARING; CONNECTING ROD SMALL END 3 (TONSON)	1 1		
		16	94601-18000	CLIP; PISTON PIN; 16HM	2 2		

Connecting rod small end bearing selection fit table
(Clearance 5~17μ)

Piston pin O.D.		A		B		
		18 ^{±0} -0.004 (13111-357-000) (a grooved)	18 ^{±0} -0.004 (13112-357-000) (none grooved)			
Connecting rod small end I.D.	a	22 ^{+0.008} +0.008 (none grooved)	91014-357-003 91014-357-004 91014-357-006 (rad)	/		
	b	22 ^{+0.008} +0.001 (none grooved)	91015-357-003 91015-357-004 91015-357-006 (blue)			91014-357-003 91014-357-004 91014-357-006 (rad)
	c	22 ^{+0.001} -0.003 (none grooved)	91016-357-003 91016-357-004 91016-357-006 (white)			91016-357-003 91016-357-004 91016-357-006 (blue)