

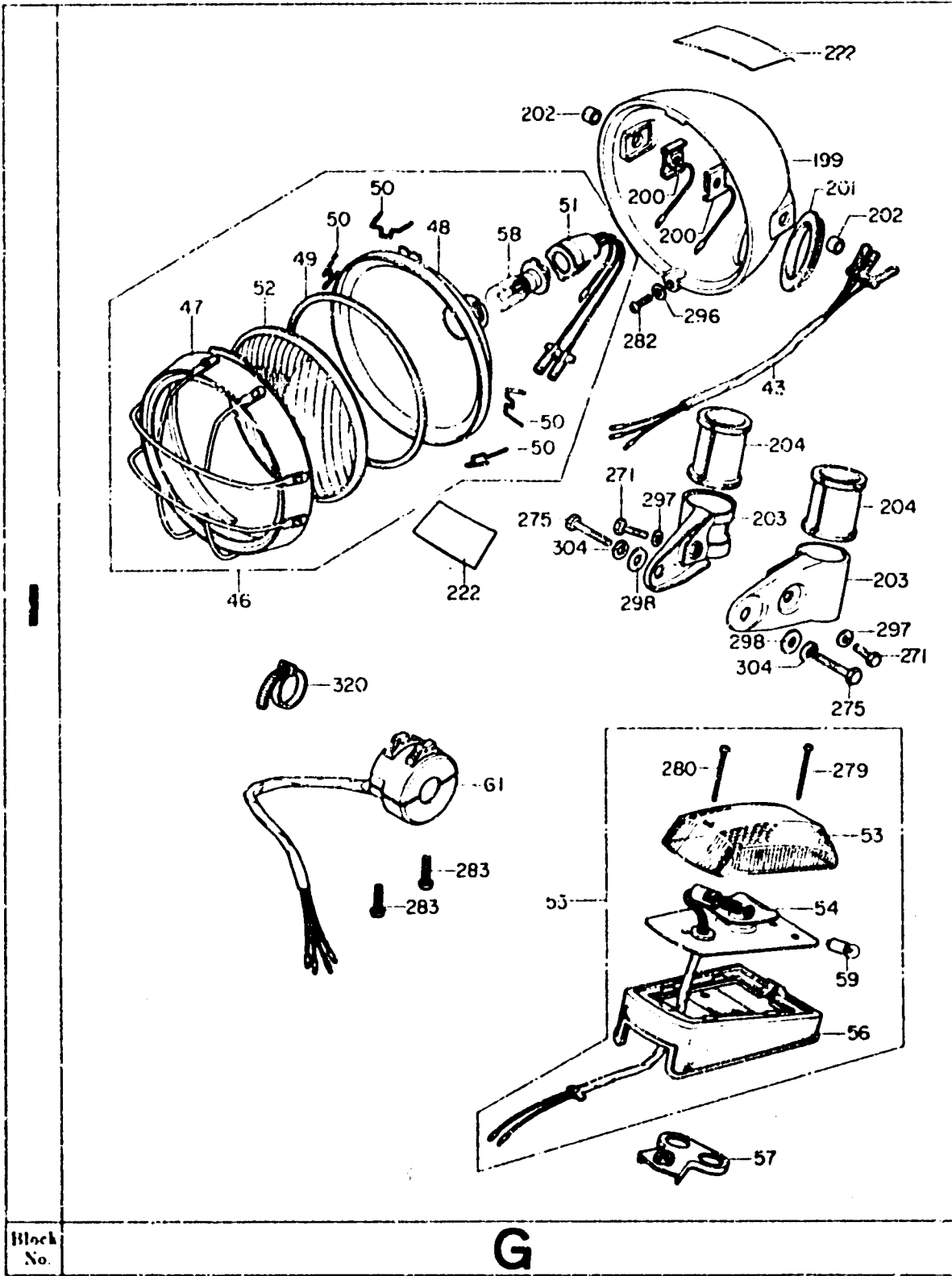
G 9

FRAME GROUP

Optional Parts

Ref. No. 1 ~ 30

FRAME GROUP



Block No.	Ref. No.	Part No.	Description	Reqd. No.		Serial No.	Area code
				TL250	TL250K1		
1C	1	16950-376-015	COCK ASSY., FUEL	1	1		
1C	2	16952-376-005	CUP, FUEL STRAINER	1	1		
1C	3	16353-389-670	LEVER, FUEL COCK	1	1		
1C	4	16954-028-000	PLATE, COCK LEVER SETTING	1	1		
1C	5	16955-028-004	GASKET, COCK LEVER	1	1		
1C	6	16956-028-004	SPRING, COCK LEVER	1	1		
1C	7	16957-028-000	SCREEN, FUEL STRAINER	1	1		
1C	8	16958-028-000	GASKET, FUEL STRAINER CUP	1	1		
1C	9	16997-273-006	O-RING, 23MM	1	1		
1D	10	17211-376-003	ELEMENT, AIR CLEANER (TOYO TOKI)	1	1		
1D	11	17213-376-003	RUBBER, ELEMENT SEAL (TOYO TOKI)	1	1		
1D	12	17214-376-003	TUBE, AIR CLEANER CONNECTING (TOYO TOKI)	1	1		
1D	13	17220-376-003	COVER COMP., AIR CLEANER CASE (TOYO TOKI)	1	1		
1D	14	17230-376-003	CASE, AIR CLEANER (TOYO TOKI)	1	1		
1D	15	17242-376-000	BAND, AIR CLEANER CONNECTING TUBE	1	1		
1D	16	17245-107-010	RUBBER, AIR CLEANER CASE MOUNTING	6	6		
1C	17	17508-357-000	COLLAR, FUEL TANK SETTING	1	1		
1C	18	17510-357-000	CAP ASSY., FUEL TANK	1	1		
1C	19	17510-376-000ZA	TANK ASSY., FUEL *NH-44M-S- R-23*	1			
		17510-376-000ZB	TANK ASSY., FUEL *NH-44M-S- YR-26*	1			
1C	20	17520-357-000	TUBE, FUEL CAP BREATHER	1	1		
1C	21	17611-303-000	PAD, FR. FUEL TANK	2	2		
1C	22	17613-376-000	CUSHION, FUEL TANK RR.	1	1		
1C	23	17624-048-010	GASKET, FUEL FILLER CAP	1	1		
1A	24	17910-376-000	CABLE COMP., THROTTLE	1	1		
1A	25	17914-355-000	CLIP, THROTTLE CABLE	1			
2C	26	18231-376-000	JOINT, EX. PIPE	1	1		
2C	27	18233-107-000	COLLAR, EX. PIPE JOINT	2	2		
2C	28	18291-216-000	GASKET, EX. PIPE	1	1		
1C	29	18292-329-000	PACKING, PROTECTOR	6	6		
1D	30	18300-376-003	MUFFLER COMP., ARRESTER	1	1		

Block No.

G