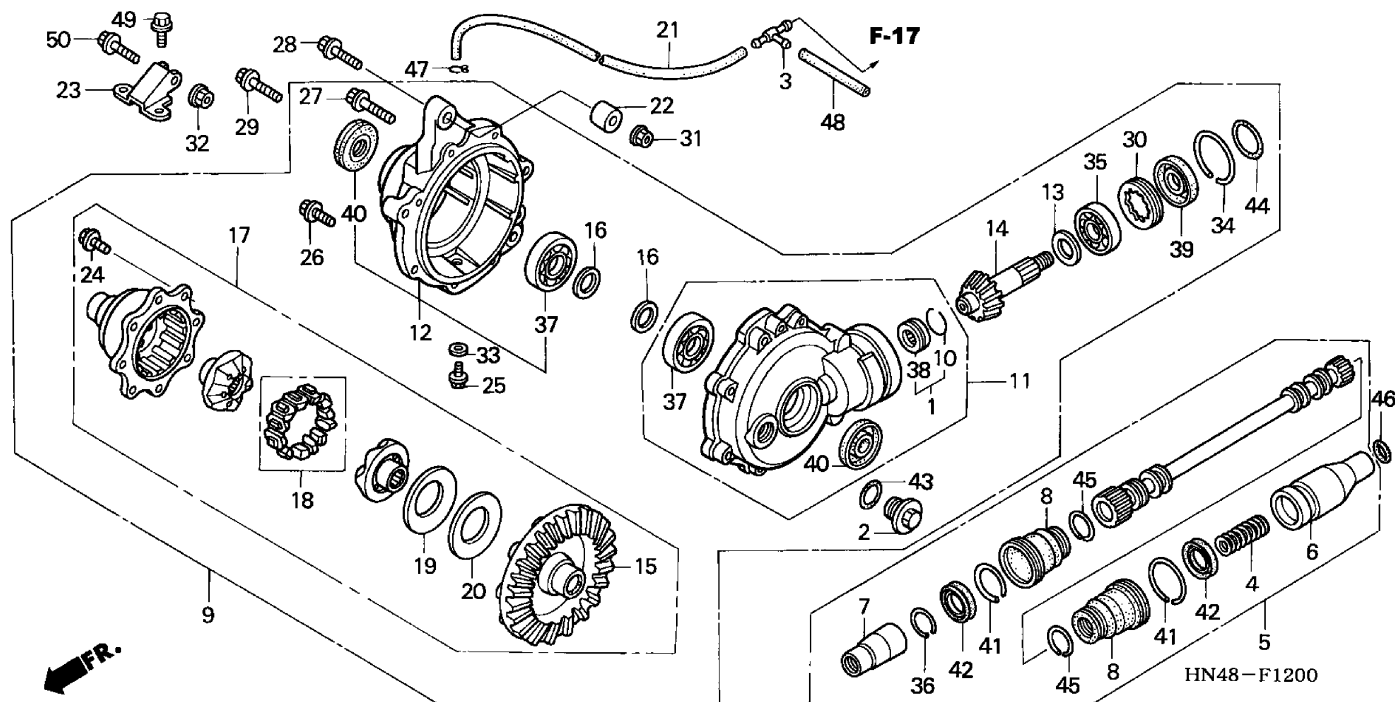


FRONT FINAL GEAR



HN48F1200

4A=TRX350TM'04
 4B=TRX350TE'04
 4C=TRX350FM'04
 4D=TRX350FE'04

F-12

Frame
 Serial Number

Ref	Description	Model	From	To	AREA	QTY	Part Number	H/C
1	BEARING SET, NEEDLE	4C 4D	-----	-----		1	06910-HM7-610	5147905
2	CAP, VALVE ADJ.	4C 4D	-----	-----		1	12361-035-000	0069625
	CAP, VALVE ADJ.	4C 4D	-----	-----		1	12361-300-000	0188870
	CAP, VALVE ADJ.	4C 4D	-----	-----		1	12361-371-980	0454934
3	JOINT, TUBE	4C 4D	-----	-----		1	38581-671-003	0604595
	JOINT, TUBE	4C 4D	-----	-----		1	38581-679-003	1482462
4	SPRING, SHAFT	4C 4D	-----	-----		1	40215-HM7-000	4643565
5	SHAFT ASSY., FR. PROPELLER	4C 4D	-----	-----		1	40400-HN5-670	6250609
6	JOINT, FR. PROPELLER SHAFT	4C 4D	-----	-----		1	40402-HN5-670	6250617
7	JOINT, FR. FINAL	4C 4D	-----	-----		1	40403-HN5-670	6314058
8	BOOT B, PROPELLER.....	4C 4D	-----	-----		2	40420-HM7-A00	5428214
9	GEAR ASSY., FR. FINAL	4C 4D	-----	-----		1	41400-HN5-M40	7408164
10	RING, STOPPER	4C 4D	-----	-----		1	41405-HA7-670	2101772
11	CASE SUB-ASSY., FR. GEAR.....	4C 4D	-----	-----		1	41411-HN5-670	6250658
12	COVER SUB-ASSY., FR. GEAR	4C 4D	-----	-----		1	41420-HN5-670	6250666
13	SHIM L, PINION GEAR (1.64)	4C 4D	-----	-----		1	41447-HM7-000	4713285
	SHIM M, PINION GEAR (1.70).....	4C 4D	-----	-----		1	41448-HM7-000	4713293
	SHIM N, PINION GEAR (1.76)	4C 4D	-----	-----		1	41449-HM7-000	4713301