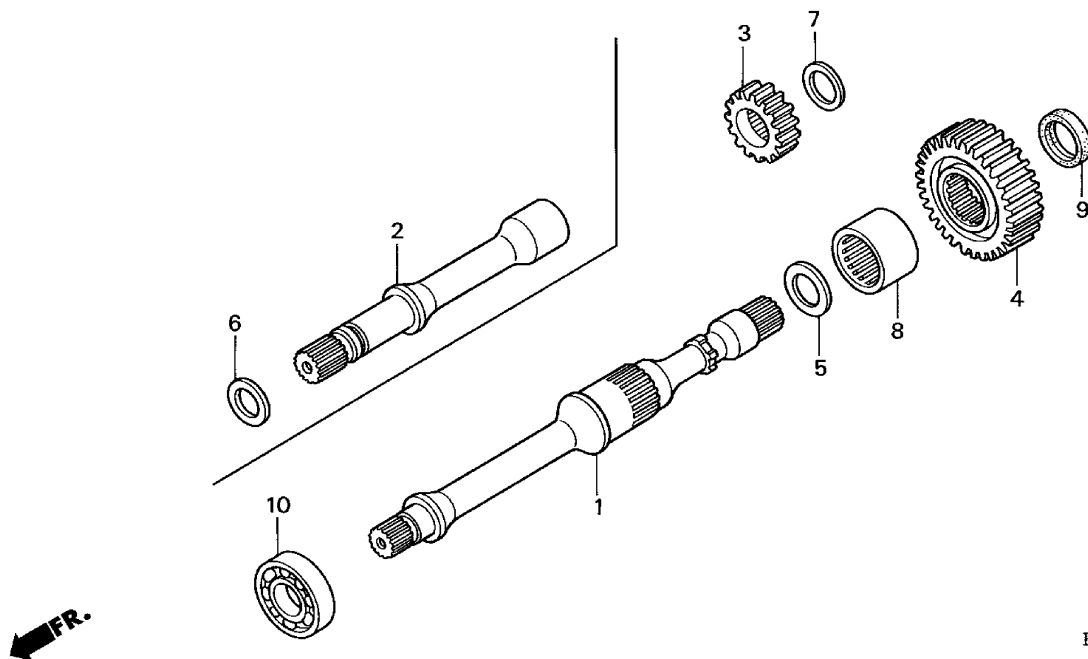


FINAL SHAFT



HN44-E1600

HN44E1600

0A=TRX350TM'00	1A=TRX350TM'01
0B=TRX350TE'00	1B=TRX350TE'01
0C=TRX350FM'00	1C=TRX350FM'01
0D=TRX350FE'00	1D=TRX350FE'01

E-16

Engine
Serial Number

Ref	Description	Model	From	To	AREA	QTY	Part Number	H/C
1	SHAFT A, FINAL	0A 0B 0C 0D 1A 1B	-----	-----	A	1	23611-HN5-670	6313522
		1C 1D	-----	-----		1	23611-HN5-670	6313522
2	SHAFT B, FINAL	0C 0D	-----	-----	A	1	23612-HN5-670	6313530
		1C 1D	-----	-----		1	23612-HN5-670	6313530
3	GEAR, FINAL DRIVE (15T)	0A 0B 0C 0D 1A 1B	-----	-----	A	1	23621-HN5-670	6313548
		1C 1D	-----	-----		1	23621-HN5-670	6313548
4	GEAR, FINAL DRIVE (29T)	0A 0B 0C 0D 1A 1B	-----	-----	A	1	23631-HN5-670	6313555
		1C 1D	-----	-----		1	23631-HN5-670	6313555
5	WASHER, THRUST (28X44X1.5)	0A 0B 0C 0D 1A 1B	-----	-----	A	1	90403-KN7-670	2056596
		1C 1D	-----	-----		1	90403-KN7-670	2056596
6	WASHER, THRUST (20X30X1.5)	0C 0D	-----	-----	A	1	90453-KZ4-000	3022498
		1C 1D	-----	-----		1	90453-KZ4-000	3022498
7	WASHER A, THRUST (20MM).....	0A 0B 0C 0D 1A 1B	-----	-----	A	1	90453-107-000	0215608
		1C 1D	-----	-----		1	90453-107-000	0215608
8	BEARING, NEEDLE (28X37X20).....	0A 0B 0C 0D 1A 1B	-----	-----	A	1	91012-HN5-671	6314777
		1C 1D	-----	-----		1	91012-HN5-671	6314777
9	OIL SEAL (24X34X5.5).....	0A 0B 0C 0D 1A 1B	-----	-----	A	1	91203-HN5-671	6314819
		1C 1D	-----	-----		1	91203-HN5-671	6314819
10	BEARING, RADIAL BALL (6004)	0A 0B 0C 0D 1A 1B	-----	-----	A	1	96100-60040-00	0689877
		1C 1D	-----	-----		1	96100-60040-00	0689877