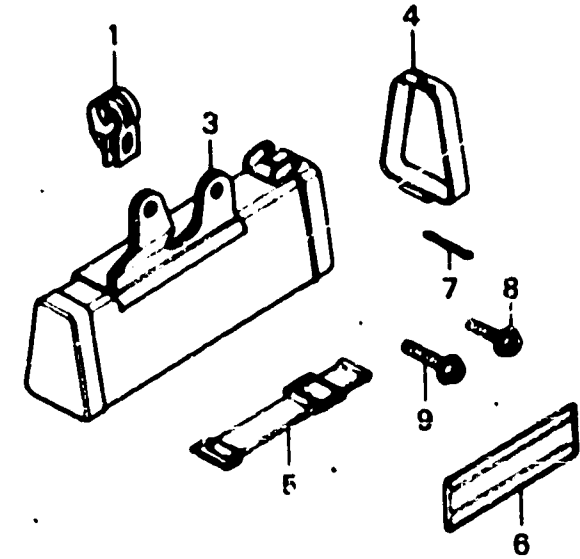
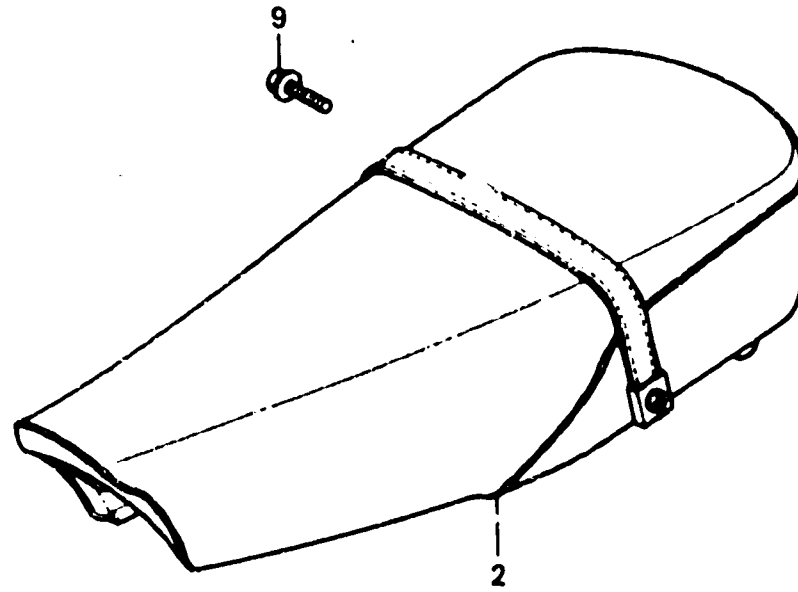


J 15

F-12

Seat



B.886-25

Service item	F.R.T.	Ref. No.	Part No.	Description	Reqd. No.			Serial No.	Area code
					XL350	K2	K3		
SEAT COMP. • TOOL BOX and its related parts	0.1	1	50358-358-000	BAND, SKID PLATE SETTING	1	1	1		
		2	77200-385-000	SEAT COMP.	1	1	1		
		3	83500-385-000	BOX COMP., TOOL	1	1	1		
		4	83541-385-000	CAP, TOOL BOX	1	1	1		
		5	83606-356-000	BAND, SIDE COVER	1	1	1		
		6	87505-385-670	MARK, TIRE CAUTION	1	1	1		A,CH
			87505-385-680	MARK, TIRE CAUTION	1	1	1		OK,DM,U
		7	94201-20250	PIN, SPLIT, 2.0X25	1	1	1		
		8	95700-06014-00	BOLT, FLANGE, 6X14	1	1	1		
		9	95700-08016-00	BOLT, FLANGE, 8X16	2	2	2		

1977.12.01

F-12