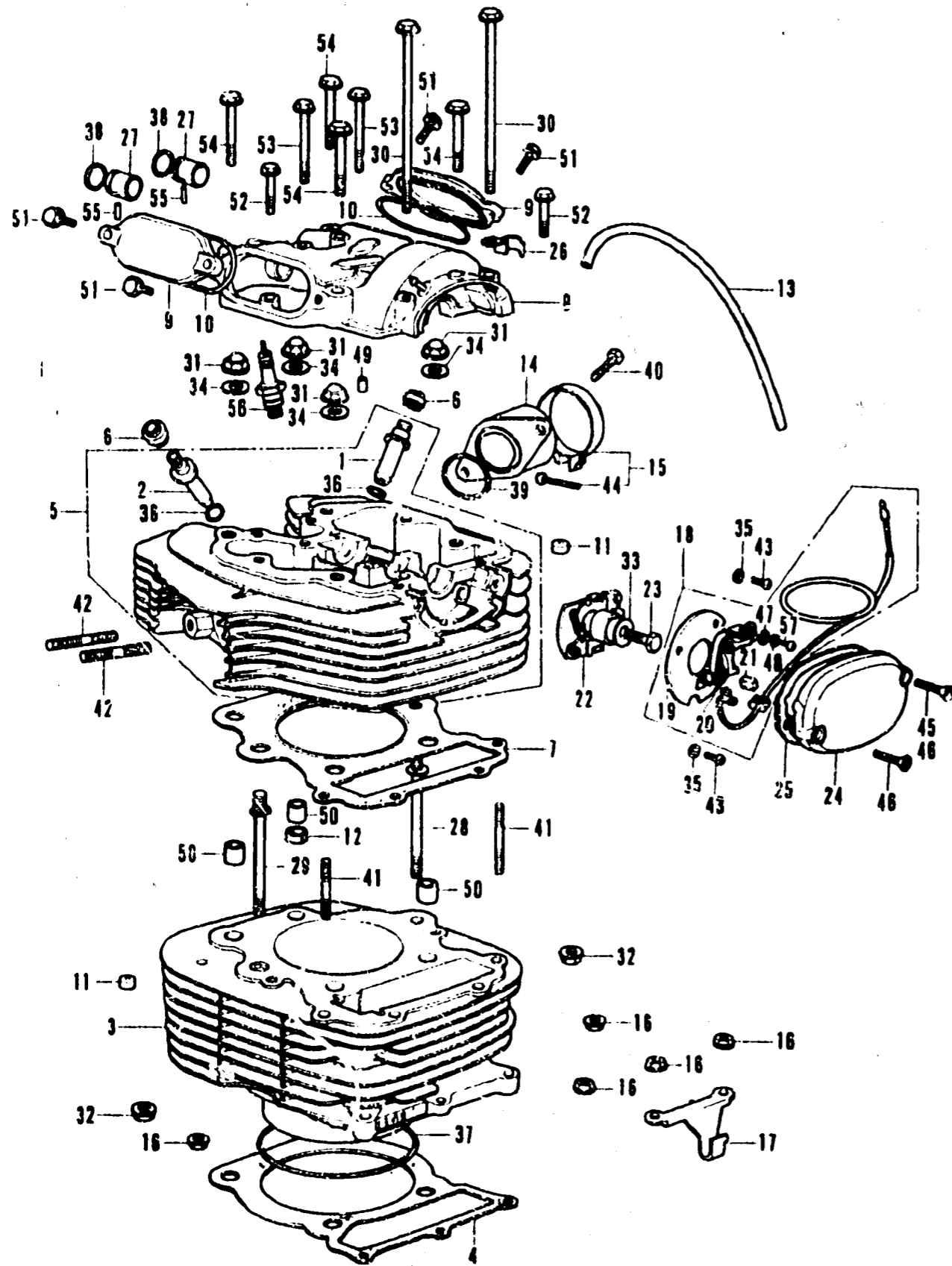


E-1 Cylinder head · Cylinder · Contact breaker

E-1 Cylinder head · Cylinder · Contact breaker



Ref. No.	Part No.	Description	Reqd. No.		Serial No.	Area code
			XL350	XL350A1		
1	12021-329-300	GUIDE, IN. VALVE	2	2		
2	12023-356-305	GUIDE, EX. VALVE	2	2		
3	12100-356-010	CYLINDER COMP.	1	1		
4	12191-356-000	GASKET, CYLINDER	1	1		
5	12200-356-010	HEAD COMP., CYLINDER	1	1		
6	12209-333-005	SEAL, VALVE STEM	4	4		
7	12251-356-010	GASKET, CYLINDER HEAD	1	1		
8	12310-356-000	COVER, CYLINDER HEAD	1	1		2016954
	12310-385-000	COVER, CYLINDER HEAD	1	1	2016955	
9	12351-329-006	COVER, TAPPET ADJUSTING HOLE	2	2		2017030
	12351-329-770	COVER, TAPPET ADJUSTING HOLE	2	2	2017031	
10	12392-329-000	PACKING, TAPPET COVER	2	2		
11	12620-329-000	RUBBER, INSERT	10	10		
12	12909-333-000	GASKET, CYLINDER STUD	1	1		
13	15772-356-000	TUBE, POINT BREATHER	1	1		
14	16211-356-000	INSULATOR, CARBURTOR	1	1		
15	17255-356-000	BAND, CARBURETOR INSULATOR	1	1		
16	18362-720-000	NUT, FLANGE, 6MM	5	5		
17	22821-356-000	RECEIVER, CLUTCH CABLE	1	1		
18	30200-329-004	BREAKER ASSY., CONTACT (ND)	1	1		
19	30201-329-004	PLATE, CONTACT BREAKER BASE (ND)	1	1		
20	30202-107-004	BREAKER, CONTACT (ND)	1	1		
21	30205-028-004	FELT, OIL (ND)	1	1		
22	30220-329-024	ADVANCER ASSY., SPARK (ND)	1	1		1016455
	30220-356-004	ADVANCER ASSY., SPARK	1	1	1016456	
23	30225-246-004	BOLT, SPARK ADVANCER SETTING	1	1		
24	30370-329-000	COVER, CONTACT BREAKER	1	1		
	30370-329-700	COVER, CONTACT BREAKER	1	1		
25	30372-329-000	GASKET, CONTACT BREAKER COVER	1	1		
26	32111-333-000	CLAMPER A, CORD	1	1		
27	90011-356-000	PLUG, FOCKER ARM SHAFT	2	2		
28	90032-356-000	BOLT, CYLINDER FLANGE, 8MM	1	1		
29	90033-356-000	BOLT, CYLINDER FLANGE, 12X8	1	1		
30	90048-329-000	BOLT, FLANGE, 6X131	2	2		
31	90202-329-000	NUT, FLANGE CAP, 10MM	4	4		
32	90236-300-000	NUT, FLANGE, 8MM	2	2		
33	90417-035-000	WASHER, SHIFDRUM SIDE	1	1		
34	90441-329-000	WASHER, SEALING, 10MM	4	4		
35	90482-028-000	WASHER, 5MM	2	2		