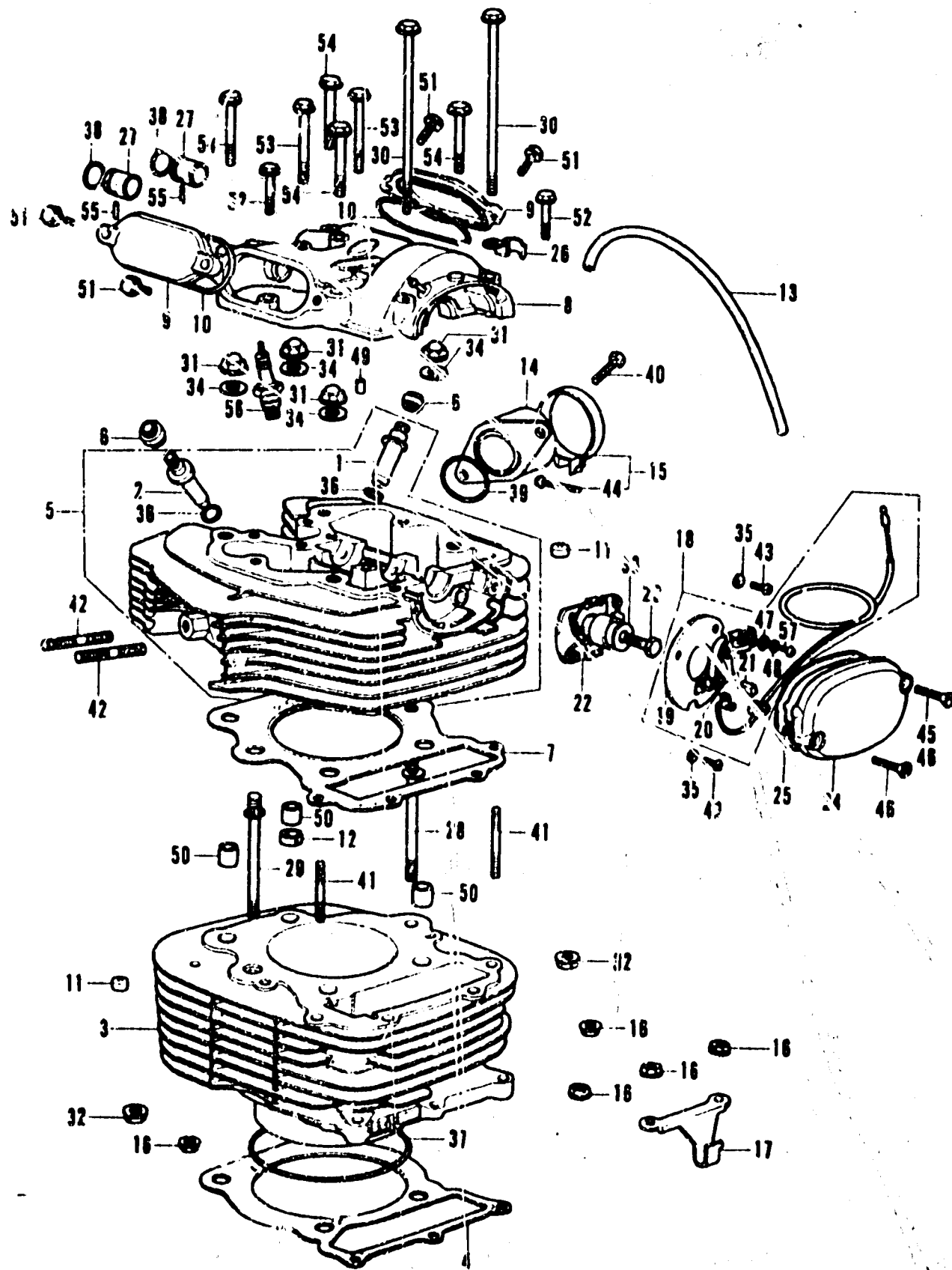


E-1 Cylinder head · Cylinder · Contact breaker



E-1 Cylinder head · Cylinder · Contact breaker



Ref. No.	Part No.	Description	Reqd. No.		Serial No.	Area code
			XL350	XL350K1		
35	91301-200-000	O-RING, 10X1.6	4	4		
37	91302-356-060	G-RING, CYLINDER, 88X2	1	1		
38	91306-329-000	O-RING, 16X1.9	2	2		
39	91325-568-000	O-RING, 42X2.4	1	1		
40	92000-06016	BOLT, HEX., 6X16	2	2		
41	92700-06040	BOLT, STUD, 6X40	2	2		
42	92700-08045	BOLT, STUD, 8X45	2	2		
43	93500-05010	SCREW, PAN, 5X10	2	2		
44	93500-05020-0G	SCREW, PAN, 5X20	1	1		
45	93700-05016-0A	SCREW, OVAL, 5X16		1		
46	93700-05022-0A	SCREW, OVAL, 5X22	2	1		
47	94101-04000	WASHER, PLAIN, 4MM	2	2		
48	94111-04000	WASHER, SPRING, 4MM	2	2		
49	94301-06100	PIN A, DOWEL, 6X10	1	1		
50	94301-12200	PIN A, DOWEL, 12X20	3	3		
51	95700-06020-00	BOLT, FLANGE, 6X20	4	4		
52	95700-06028-00	BOLT, FLANGE, 6X28	2	2		
53	95700-06050-00	BOLT, FLANGE, 6X50	2	2		
54	95700-08045-00	BOLT, FLANGE, 8X45	4	4		
55	96220-60160	ROLLER, 6X16	2	2		
56	98069-38710	PLUG, SPARK (D-6ES-L NGK)	1	1		
	98069-57711	PLUG, SPARK (D-7ES NGK)	(1)	(1)		
	98069-57723	PLUG, SPARK (X22ES ND)	(1)	(1)		
	98069-58721	PLUG, SPARK (X24ES ND)	1	1		
57	99500-04007-0A	SCREW, HOLLOW PAN, 4X7	2	2		

D550-1B