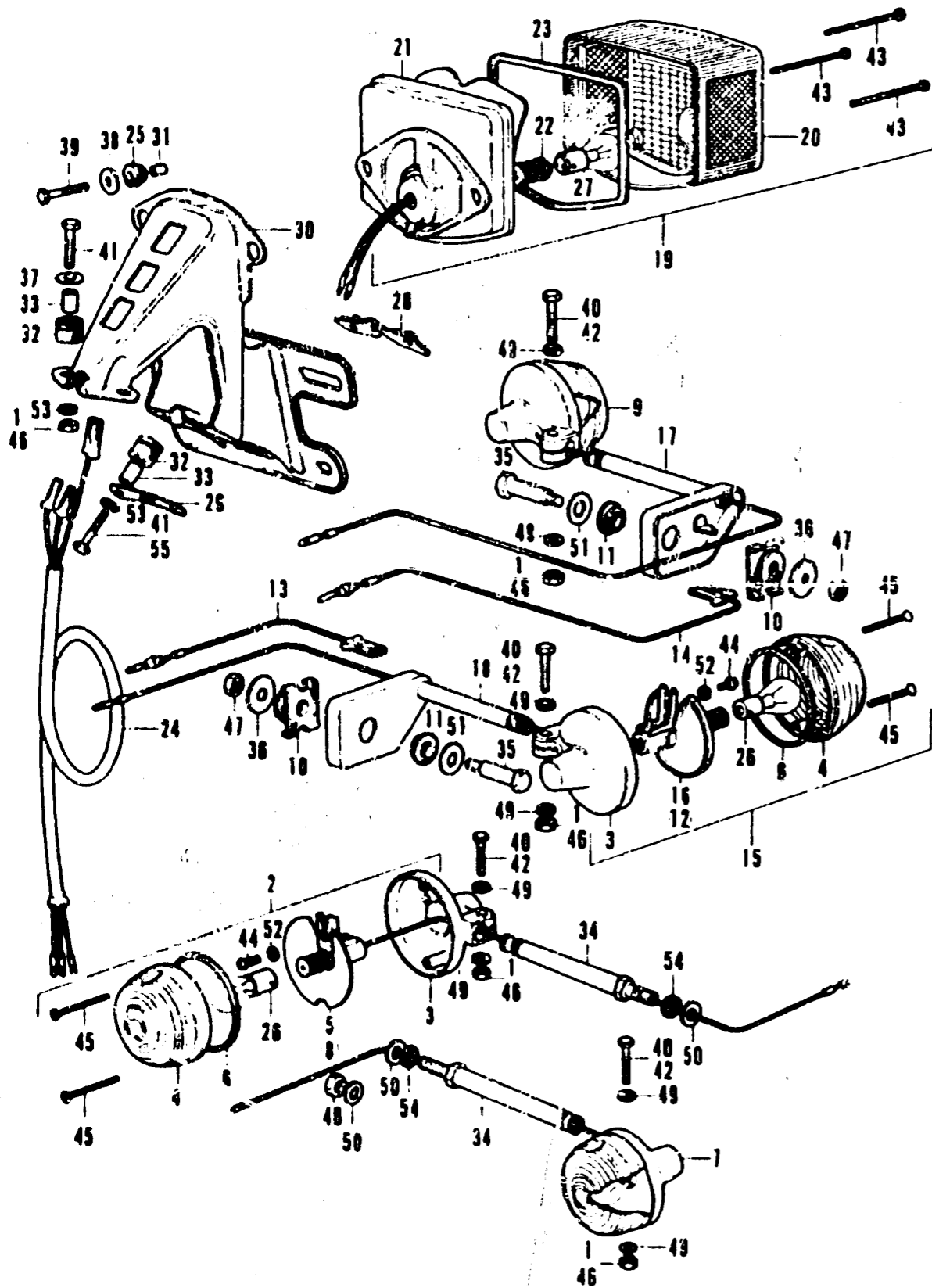


F-8 Taillight · Winker

D 16

F-8 Taillight · Winker



Ref. No.	Part No.	Description	Reqd. No.		Serial No.	Area code
			XL350	XL350K1		
31	84705-342-000	COLLAR, TAILLIGHT UNIT	2	2		
32	84905-333-000	RUBBER, CUSHION	4	4		
33	84906-118-000	COLLAR, NUMBER BRACKET	4	4		
34	90154-455-670	BOLT, FR. WINKER SETTING	2	2		
35	90155-292-010	BOLT, RR. WINKER SET	2	2		
36	90473-805-810	WASHER, 8MM 90534-706-010	2	2		
37	90525-030-000	WASHER B, HANDLE HOLDER SETTING	2	2		
38	90581-342-000	WASHER, 20MM	2	2		
39	92060-05020-0A	BOLT, HEX., 5X20	2	2		
40	92000-06028-02	BOLT, HEX., 6X28	4			
41	92000-06032	BOLT, HEX., 6X32	4	2		
42	93000-06025-02	BOLT, HEX., 6X25		4		
43	93500-04055-08	SCREW, PAN, 4X55	3	3		
44	93500-05008-0A	SCREW, PAN, 5X8	4	4		
45	93700-03025-08	SCREW, OVAL, 3X25	8	8		
46	94001-06000	NUT, HEX., 6MM	6			
47	94001-08000-05	NUT, HEX., 8MM	2	2		
48	94001-10000-05	NUT, HEX., 10MM	1	1		
49	94101-06000	WASHER, PLAIN, 6MM	8			
50	94101-10000	WASHER, PLAIN, 10MM	3	3		
51	94101-12000	WASHER, PLAIN, 12MM	2	2		
52	94111-05000	WASHER, SPRING, 5MM	4	4		
53	94111-06000	WASHER, SPRING, 6MM	4			
54	94111-10000	WASHER, SPRING, 10MM	2	2		
55	95700-06032-00	BOLT, FLANGE, 6X32	2			

B356-15