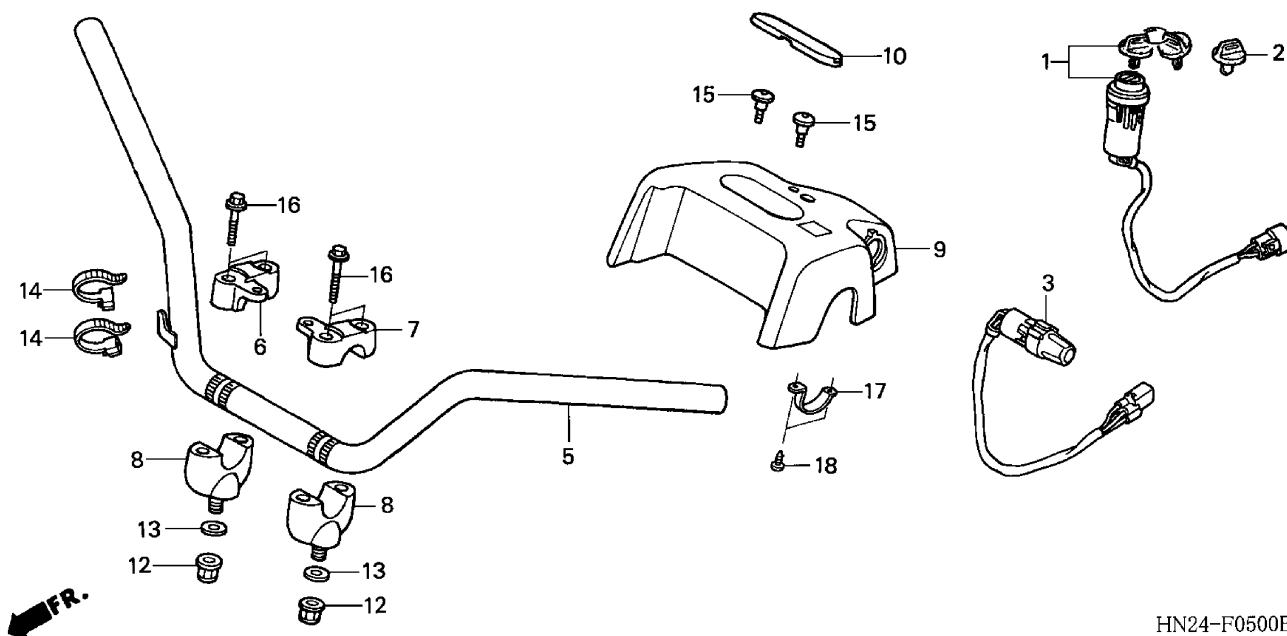


HANDLEBAR



HN24-F0500B

HN24F0500B

1 =TRX500FA'01 2 =TRX500FA'02 3 =TRX500FA'03 4 =TRX500FA'04	4G=TRX500FGA'04	F-5	
		Frame Serial Number	

Ref	Description	Model	From	To	QTY	Part Number	H/C
1	SWITCH ASSY., IGNITION	1 2 3 4 4G	-----	-----	1	35100-HN0-A02	5748884
2	KEY, BLANK (TYPE1)	1 2 3 4 4G	-----	-----	(1)	35121-HF1-881	3813748
	KEY, BLANK (TYPE2)	1 2 3 4 4G	-----	-----	(1)	35122-HF1-881	3813755
3	SWITCH ASSY., MODE SELECT	1 2 3 4 4G	-----	-----	1	35300-HN2-007	6434567
5	HANDLEBAR	1	-----	-----	1	53100-HN2-000	6392278
	HANDLEBAR	2 3	-----	-----	1	53100-HN2-680	6722185
	HANDLEBAR	4 4G	-----	-----	1	53100-HN2-A00	7458359
6	HOLDER, R. HANDLE (UPPER)	1 2 3 4 4G	-----	-----	1	53111-HC3-000	2487056
7	HOLDER, L. HANDLE (UPPER)	1 2 3 4 4G	-----	-----	1	53121-HC3-000	2487064
8	HOLDER, HANDLE (LOWER)	1 2 3 4 4G	-----	-----	2	53130-HB3-770	2434355
9	COVER, HANDLE *NH1* (BLACK)	1 2 3 4 4G	-----	-----	1	53205-HN2-000ZA	6392286
10	CAP, HANDLE COVER *NH1* (BLACK)	1 2 3 4 4G	-----	-----	1	53206-HM8-000ZA	5282272
12	NUT, SELF-LOCK (10MM).....	1 2 3 4 4G	-----	-----	2	90305-HC0-770	2739530
13	WASHER (10.3MM)	1 2 3 4 4G	-----	-----	2	90521-427-770	0829150
14	BAND, WIRE	1 2 3 4 4G	-----	-----	2	90652-KT1-771	2710416
15	SCREW, SPECIAL (6X8)	1 2 3 4 4G	-----	-----	2	90102-HN5-670	6314686
16	BOLT, FLANGE (8X35)	1 2 3 4 4G	-----	-----	4	95701-08035-08	2563260
17	HOLDER, MODE SELECT SWITCH	1 2 3 4 4G	-----	-----	1	53209-HN2-000	6392294