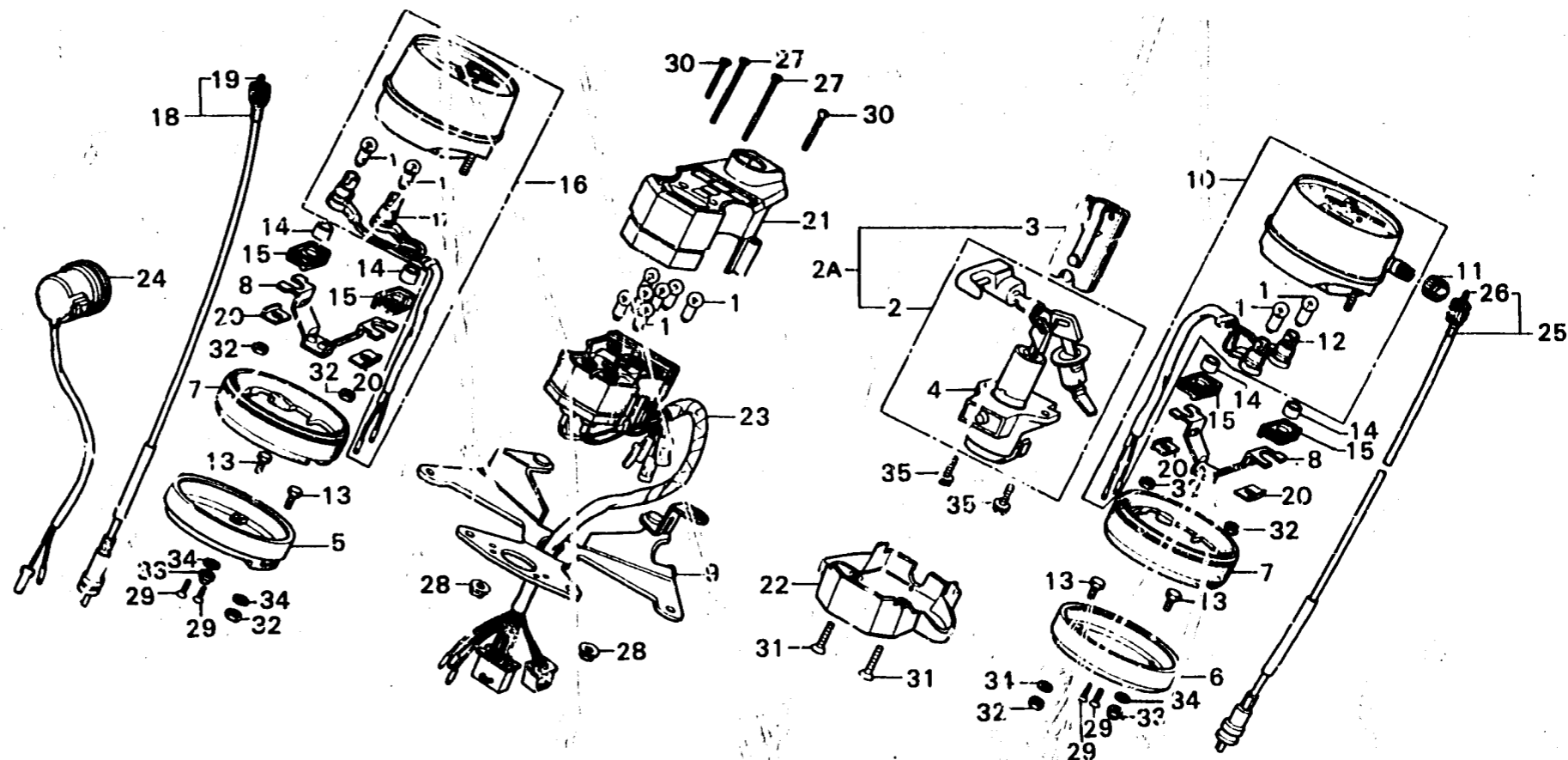


H 3

F-4

**Speedometer •
Tachometer • Key set**



B371-19

Service item	F.R.T.	Ref. No.	Part No.	Description	Reqd. No.		Serial No.	Area code
					GL1000	GL1000 LTDK1 K2		
			35100-422-602	SWITCH ASSY., COMBINATION		1		E, ED, F, G
		5	37111-371-008	RING, R. METER SETTING	1	1		
			37111-371-980	RING, R. METER SETTING		1		
		6	37112-371-008	RING, L. METER SETTING	1	1		
			37112-371-980	RING, L. METER SETTING		1		
		7	37113-371-000	CUSHION, METER SETTING	2	2		
		8	37116-371-000	PLATE, METER RING SETTING	2	2		
		9	37120-371-000	STAY COMP., METER SETTING	1	1		
			37120-371-660	STAY COMP., METER SETTING		1	2040166	2040165
		10	37200-371-671	SPEEDOMETER ASSY. (MPH) (NIPPON SEIKI)	1			DK, DM, E, ED, F, G, U
			37200-371-681	SPEEDOMETER ASSY. (KPH)	1	1		A
			37200-371-691	SPEEDOMETER ASSY. (MPH)	1	1		DK, ED, F, G, U
						1		DM
			37200-371-961	SPEEDOMETER ASSY. (KPH)		1		A, CM, E
			37200-371-980	SPEEDOMETER ASSY. (MPH)		1		ED, F, G, U
			37200-371-661	SPEEDOMETER ASSY. (MPH, KPH)				A, CM
			37200-371-682	SPEEDOMETER ASSY. (KPH)				A, CM, DM, E
						1		DK, ED, F, G, U
		11	37202-371-610	CAP, TRIP METER KNOB		1	1	1
		12	37204-371-007	SOCKET COMP., SPEEDOMETER (NIPPON SEIKI)	1	1	1	1
		13	37238-323-700	BOLT, METER SET, 6MM	4	4	4	4
		14	37243-371-008	COLLAR, METER SETTING	4	4	4	4
		15	37244-371-008	RUBBER, METER SET	4	4	4	4

1972.04.10

H3