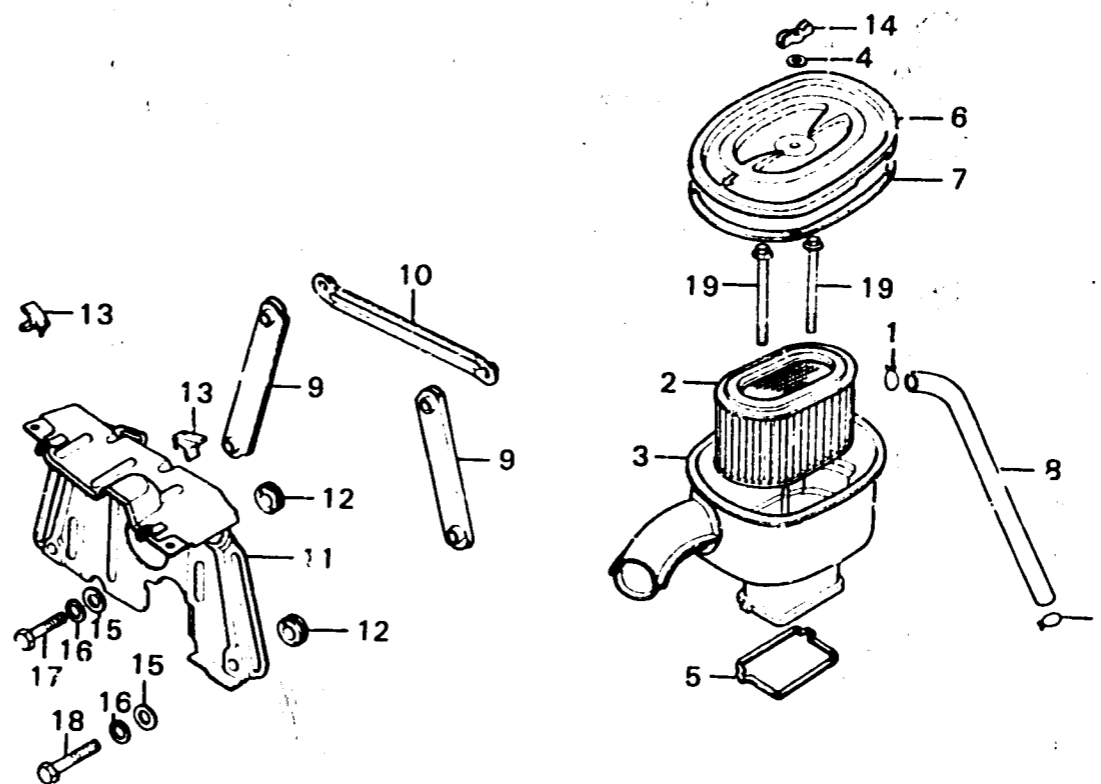


J 11

F-19

Air cleaner • Shroud



B371-34

Service item	F.R.T.	Ref. No.	Part No.	Description	Reqd. No.		Serial No.	Area code
					GL1000	GL1000 LTD K1 K2		
		11	62401-371-000ZA	SHROUD *NH-1*	1	1		
			62401-371-980	SHROUD		1		
		12	62403-371-000	RUBBER, SHROUD MOUNT	4	4		
		13	62405-371-000	RUBBER, SHROUD SET	2	2		
		14	90203-611-000	NUT, AIR CLEANER COVER	1			
						1		
						2	2040166	2040165
			90203-371-980	NUT, AIR CLEANER COVER		1		DX,DM,E,ED,F,G,U
		15	94101-10000	WASHER, PLAIN, 10MM	4	4		
			91536-371-980	WASHER, PLAIN, 10MM		4		
		16	94111-10000	WASHER, SPRING, 10MM	4	4		
			91564-371-980	WASHER, SPRING, 10MM		4		
		17	95300-10045-00	BOLT, HEX., 10X45	2	2		
			91512-371-980	BOLT, HEX., 10X45		2		
		18	95325-10050-00	BOLT, HEX., 10X50	2	2		
			91514-371-980	BOLT, HEX., 10X50		2		
		19	95700-06090-08	BOLT, FLANGE, 6X90	2	2		

1979.04.10

J11