

F 3

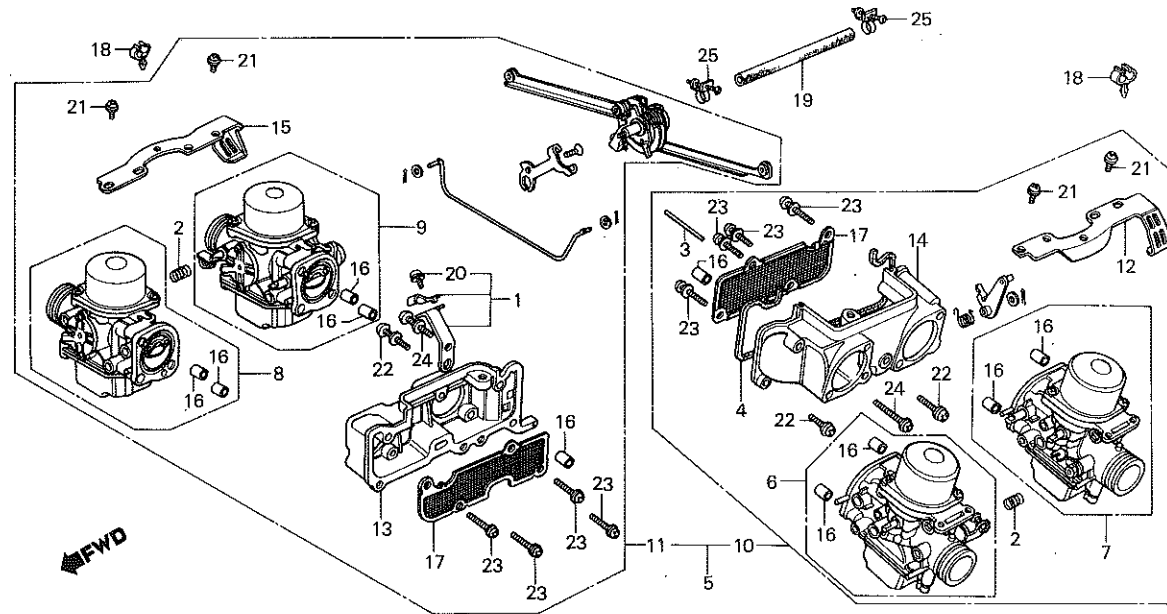
E-23

**Carburetor
(Assy.)**

**Carburateur
(Ens.)**

**Vergaser
(Kompl)**

**Carburador
(Ens.)**



B463-23

Service item	F.R.T.	Ref. No.	Part No.	Description	Reqd. No.					Serial No.	Area code
					D	Ip	Do	D2p	AO		
		12	16129-463-004	* PLATE, L. STAY	1	1	1	1	1		
		13	16157-463-004	* CHAMBER A, AIR	1	1	1	1	1		
		14	16158-463-004	* CHAMBER B, AIR	1	1	1	1	1		
		15	16169-463-004	* PLATE, R. STAY	1	1	1	1	1		
		16	16178-463-004	* PIN, KNOCK	10	10	10	10	10		
		17	16196-463-004	* BODY, FLAME TRAP	2	2	2	2	2		
		18	32981-371-000	* GROMMET, HIGH TENSION CORD	2	2	2	2	2		
		19	91320-371-000	* HOSE, FUEL, 5.5X160	1	1	1	1	1		
		20	93892-04012-00	* SCREW-WASHER, 4X12	1	1	1	1	1		
		21	93892-05012-00	* SCREW-WASHER, 5X12	8	8	8	8	8		
		22	93892-06025-00	* SCREW-WASHER, 6X25	3	3	3	3	3		
		23	93892-06030-08	* SCREW-WASHER, 6X30	8	8	8	8	8		
		24	93892-06040-00	* SCREW-WASHER, 6X40	2	2	2	2	2		
		25	95002-01120	* CLIP A12, TUBE	2	2	2	2	2		