

2-C5

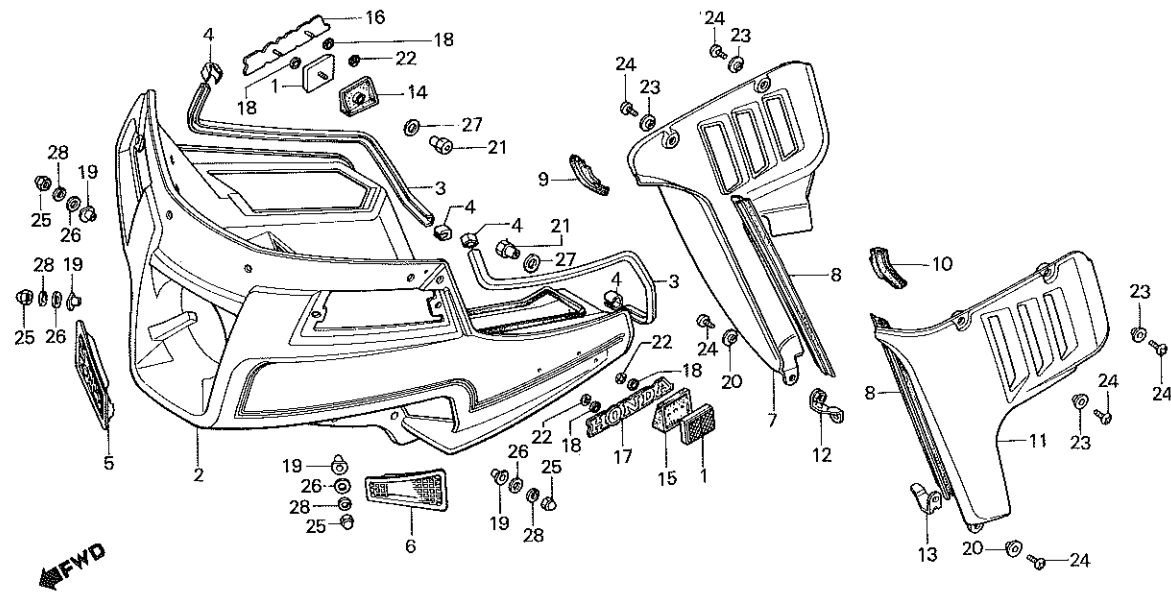
F-37

Fairing
(GL1100Id · Dd · D2d · Ad)

Profilage
(GL1100Id · Dd · D2d · Ad)

Verkleidung
(GL1100Id · Dd · D2d · Ad)

Carena
(GL1100Id · Dd · D2d · Ad)



B463-79B

Service item	F.R.T.	Ref. No.	Part No.	Description	Reqd. No.				Serial No.	Area code
					D	GL1100 Id	Dd	D2d		
FAIRING COMP. COWL COMP., UNDER (ONE OR ALL)	0.8 [1.2]	1	33741-449-000	REFLECTOR, FR. REFLEX	2	2	2	2		B,CM,E,ED,G,SA,U
	0.1		33741-463-781	DUMMY, REFLEX REFLECTOR				2		F
			2	64200-MB9-890ZA	FAIRING COMP. #NH-1*		1			G
				64200-MB9-890ZB	FAIRING COMP. #YR-120C-U*		1			G
				64200-MB9-900ZA	FAIRING COMP. #NH-125M-U*				1	E,ED
				64200-MB9-900ZB	FAIRING COMP. #R-114C-U*				1	E,ED
				64200-MB9-950ZA	FAIRING COMP. #NH-125M-U*				1	CM,U
				64200-MB9-950ZB	FAIRING COMP. #R-114C-U*				1	CM,U
				64200-MB9-970ZA	FAIRING COMP. #NH-1*	1				
				64200-MB9-970ZB	FAIRING COMP. #YR-120C-U*	1				
				64200-MB9-980ZA	FAIRING COMP. #NH-1*		1	1		B,E,ED,F,SA,U
				64200-MB9-980ZB	FAIRING COMP. #YR-120C-U*		1	1		B,E,ED,F,SA,U
			3	64205-463-770	MOULDING, COWL TRIM	2	2	2	2	
			4	64207-MB9-770	CAP, MOULDING END	4	4	4	4	
		5	64278-463-770	COVER, R. AIR DUCT	1	1	1	1		
		6	64279-463-770	COVER, L. AIR DUCT	1	1	1	1		
[]: Ad TYPE										