

**2-D16**

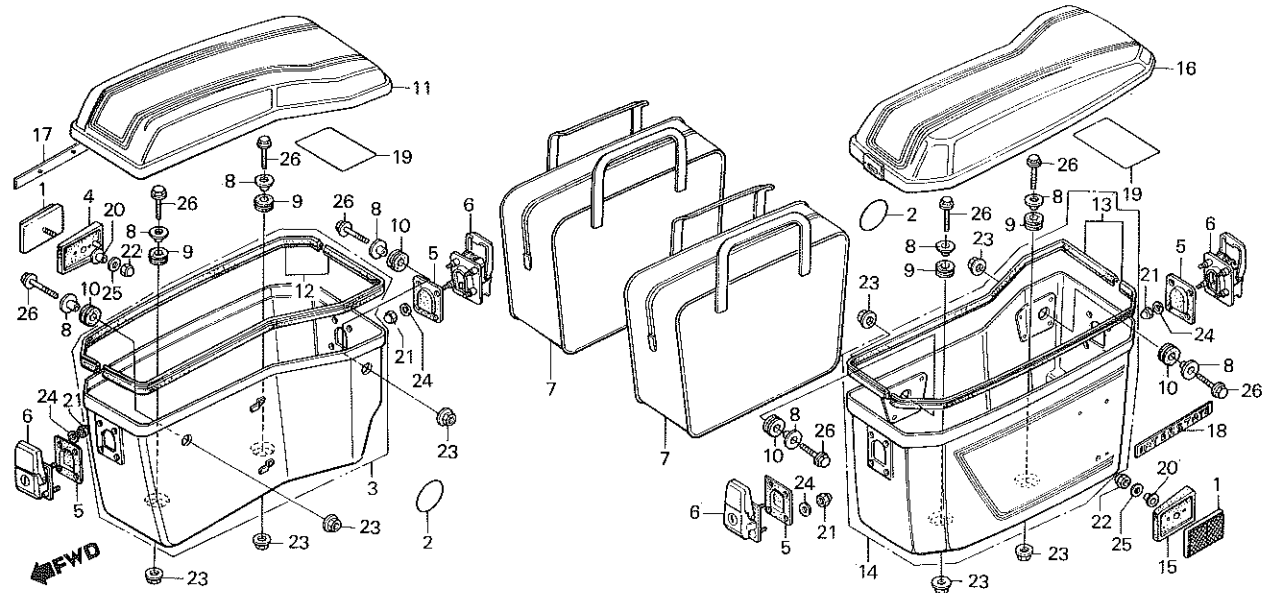
**F-42**

**Saddlebag  
(GL1100Id · D2D · Ad)**

**Sac de selle  
(GL1100Id · D2D · Ad)**

**Satteltasche  
(GL1100Id · D2D · Ad)**

**Saco de sillin  
(GL1100Id · D2D · Ad)**



BM89-29

Service item	F.R.T.	Ref. No.	Part No.	Description	Reqd. No.				Serial No.	Area code
					GL1100	D	Do	D2D		
		8	81245-463-770	COLLAR, SADDLEBAG MOUNTING	8		8	8		
		9	81246-463-770	* RUBBER A, SADDLEBAG MOUNTING	4		4	4		
		10	81247-463-770	* RUBBER B, SADDLEBAG MOUNTING	4		4	4		
		11	81250-MB9-950ZA	SADDLEBAG COMP., R. UPPER				1		
				*NH-125M-U*						
			81250-MB9-950ZB	SADDLEBAG COMP., R. UPPER				1		
				*R-114C-U*						
			81250-MB9-970ZA	*SADDLEBAG COMP., R. UPPER	1		1			
				*NH-1*						
			81250-MB9-970ZB	*SADDLEBAG COMP., R. UPPER	1		1			
				*YR-120C-U*						
		12	81325-463-770	* RUBBER, R. SADDLEBAG SEAL	1		1	1		
		13	81326-463-770	* RUBBER, L. SADDLEBAG SEAL	1		1	1		
		14	81410-MB9-950ZA	SADDLEBAG COMP., L. LOWER				1		
				*NH-125M-U*						