

# 2-F14

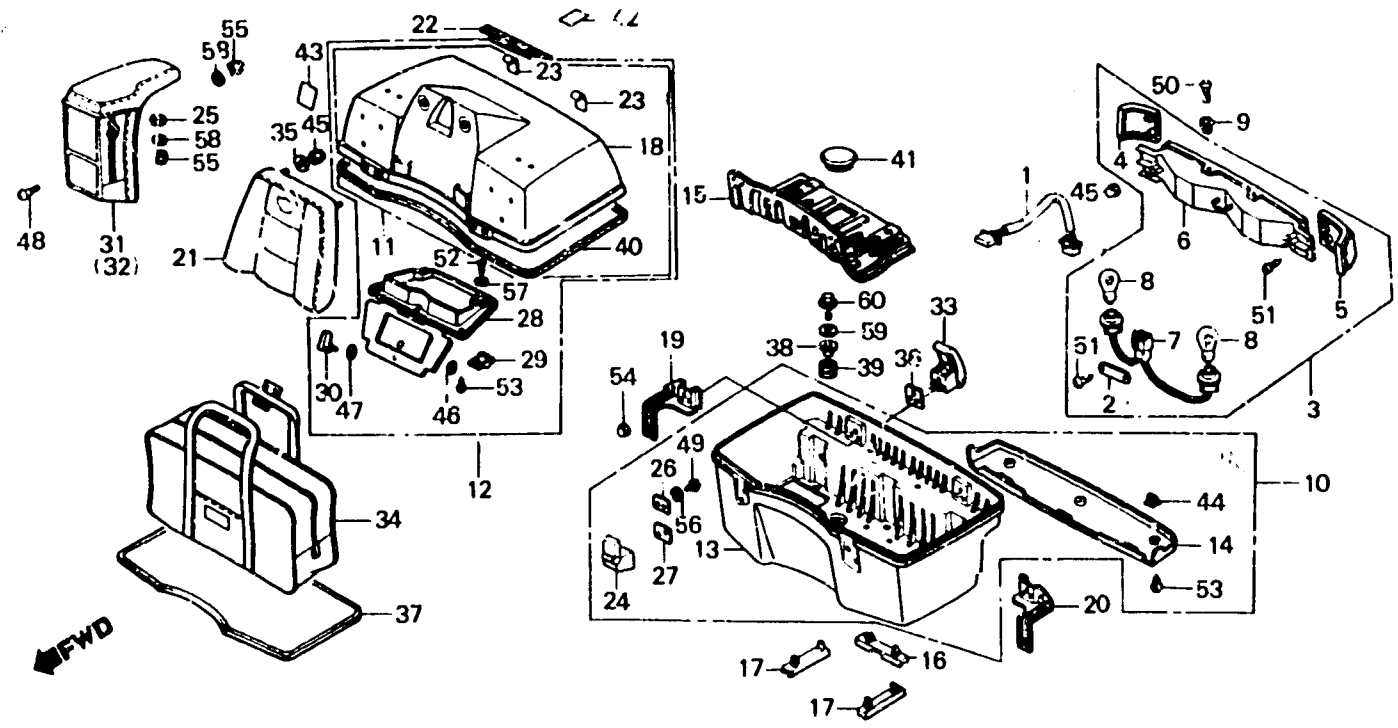
## F-42

**Rear trunk**  
(GL1200Dg • Ig • Ag • Dh-E,  
F, FI, IT, SD, SW • Ah)

**Cofre arrière**  
(GL1200Dg • Ig • Ag • Dh-E,  
F, FI, IT, SD, SW • Ah)

**Hinterkoffer**  
(GL1200Dg • Ig • Ag • Dh-E,  
F, FI, IT, SD, SW • Ah)

**Cofano posteriore**  
(GL1200Dg • Ig • Ag • Dh-E,  
F, FI, IT, SD, SW • Ah)



BML8-50

| Item d'entretien | T.D.R. | N° de réf.      | N° de pièce                        | Description                         | N° de requis GL1200 |    |    |    |       | N° de série | Code de zone                             |
|------------------|--------|-----------------|------------------------------------|-------------------------------------|---------------------|----|----|----|-------|-------------|------------------------------------------|
|                  |        |                 |                                    |                                     | Dg                  | Ig | Ag | Dh | Ah    |             |                                          |
|                  |        | 16              | 81118-MG9-770                      | COUSSIN CENTRAL DE COFFRE AR. ....  | 1                   | 1  | 1  | 1  | 1     | .....       | CM,E,ED,F,FI,IT,SD,SW                    |
|                  |        | 17              | 81119-MG9-770                      | COUSSIN DE COFFRE AR. ....          | 2                   | 2  | 2  | 2  | 2     | .....       | CM,E,ED,F,FI,IT,SD,SW                    |
|                  |        | 18              | 81121-ML8-870ZA                    | COFFRE SUPERIEUR *R-114C-U* .....   | 1                   | 1  | -  | -  | -     | .....       | E,ED,F,FI,IT,SD,SW<br>E,ED,F,FI,IT,SD,SW |
|                  |        |                 | 81121-ML8-870ZB                    | COFFRE SUPERIEUR *NH-1-Z* .....     | 1                   | 1  | -  | -  | -     | .....       |                                          |
|                  |        |                 | 81121-ML8-770ZA                    | COFFRE SUPERIEUR *YR-135M* .....    | -                   | -  | 1  | -  | -     | .....       |                                          |
|                  |        |                 | 81121-ML8-770ZB                    | COFFRE SUPERIEUR *PB-155P-A* .....  | -                   | -  | 1  | -  | -     | .....       |                                          |
|                  |        |                 | 81121-ML8-770ZC                    | COFFRE SUPERIEUR *NH-152M* .....    | -                   | -  | 1  | -  | -     | .....       |                                          |
|                  |        |                 | 81121-ML8-600ZA                    | COFFRE SUPERIEUR *YR-143M* .....    | -                   | -  | -  | 1  | -     | .....       |                                          |
|                  |        |                 | 81121-ML8-600ZB                    | COFFRE SUPERIEUR *NH-178M* .....    | -                   | -  | -  | 1  | -     | .....       |                                          |
|                  |        |                 | 81121-ML8-700ZA                    | COFFRE SUPERIEUR *R-114C-U* .....   | -                   | -  | -  | -  | 1     | .....       |                                          |
|                  |        |                 | 81121-ML8-700ZB                    | COFFRE SUPERIEUR *NH-1-Z* .....     | -                   | -  | -  | -  | 1     | .....       |                                          |
|                  |        | 81121-ML8-700ZC | COFFRE SUPERIEUR *NH-104M-U* ..... | -                                   | -                   | -  | -  | 1  | ..... |             |                                          |
|                  |        | 19              | 81122-MG9-770                      | RENFORT DE VERROU DE COFFRE D. .... | 1                   | 1  | 1  | 1  | 1     | .....       | CM,E,ED,F,FI,IT,SD,SW                    |
|                  |        | 20              | 81123-MG9-770                      | RENFORT DE VERROU DE COFFRE G. .... | 1                   | 1  | 1  | 1  | 1     | .....       | CM,E,ED,F,FI,IT,SD,SW                    |
|                  |        | 21              | 81125-MG9-680ZA                    | SIEGE COMP. AR. *TYPE 1* .....      | 1                   | 1  | -  | -  | -     | .....       |                                          |
|                  |        |                 |                                    | (R-58L)                             |                     |    |    |    |       |             |                                          |
|                  |        |                 | 81125-MG9-930ZA                    | SIEGE COMP. AR. *TYPE 1* .....      |                     |    |    |    |       |             |                                          |
|                  |        |                 | 81125-MG9-930ZC                    | SIEGE COMP. AR. *TYPE 3* .....      | (NH-81L)            | -  | -  | 1  | -     | -           |                                          |