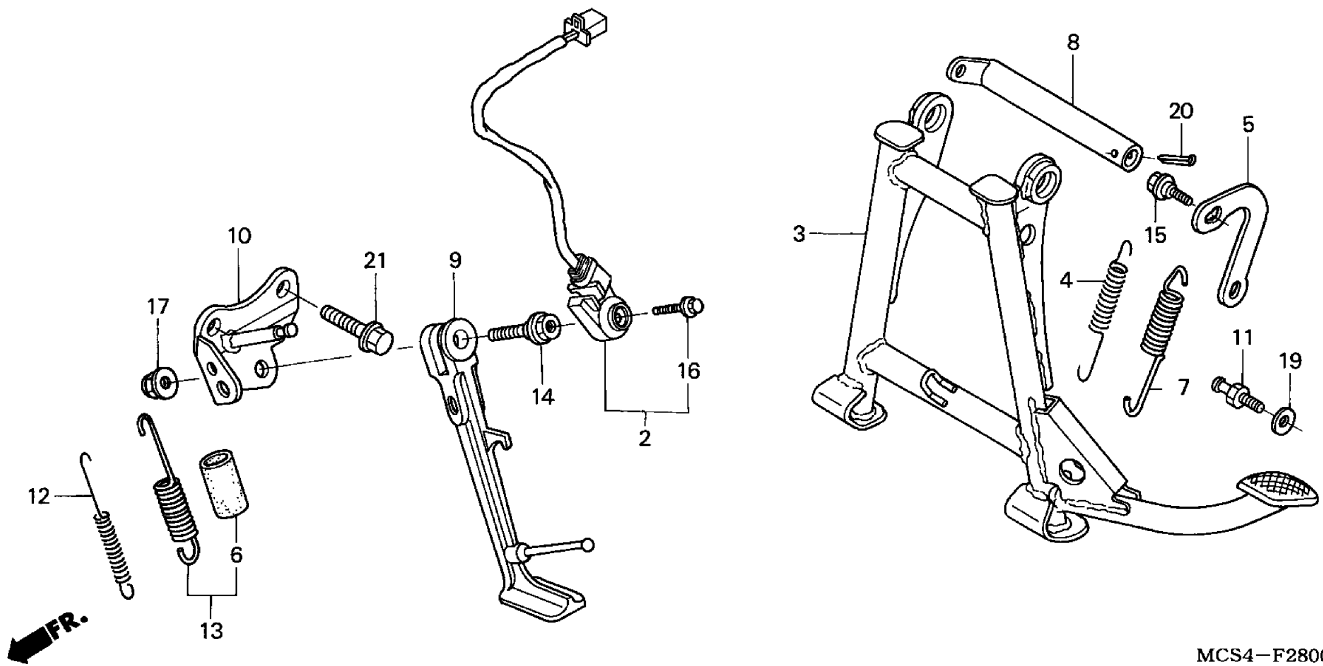


STAND



MCS4-F2800

MCS4F2800

3 =ST1300'03 3A=ST1300A'03 4 =ST1300'04 4A=ST1300A'04		F-28						
		Frame Serial Number						
Ref	Description	Model	From	To	AREA	QTY	Part Number	H/C
12	SUB-SPRING, SIDE STAND	4 4A	-----	-----	A	1	50542-MZ1-610	6101398
13	SPRING ASSY., SIDE STAND.....	3 3A	-----	-----	AC	1	50543-MZ1-610	7126915
		4 4A	-----	-----	A	1	50543-MZ1-610	7126915
14	BOLT, SIDE STAND PIVOT	3 3A	-----	-----	AC	1	90108-MK6-670	3106895
		4 4A	-----	-----	A	1	90108-MK6-670	3106895
15	BOLT, MAIN STAND PIVOT (6X15).....	3 3A	-----	-----	AC	1	90120-MCS-G00	7128713
		4 4A	-----	-----	A	1	90120-MCS-G00	7128713
16	BOLT, SPECIAL (6X16)	3 3A	-----	-----	AC	1	90147-MCE-950	7332737
		4 4A	-----	-----	A	1	90147-MCE-950	7332737
17	NUT, SIDE STAND.....	3 3A	-----	-----	AC	1	90203-MF9-710	2544781
		4 4A	-----	-----	A	1	90203-MF9-710	2544781
19	WASHER, FLAT (8MM)	3 3A	-----	-----	AC	1	94101-08700	0313262
		4 4A	-----	-----	A	1	94101-08700	0313262
20	PIN, COTTER (2.5X28)	3 3A	-----	-----	AC	1	94201-25280	0928135
		4 4A	-----	-----	A	1	94201-25280	0928135
21	BOLT, FLANGE (10X30)	3 3A	-----	-----	AC	2	95701-10030-07	7129133
		4 4A	-----	-----	A	2	95701-10030-07	7129133