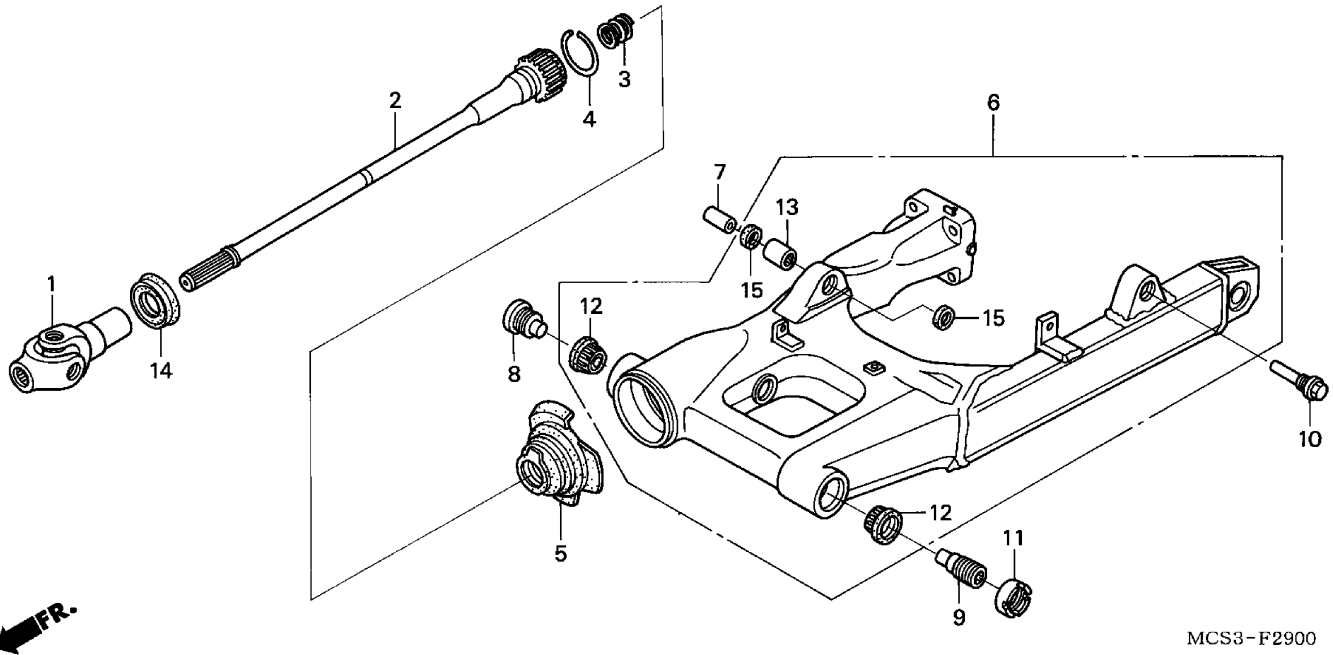


# SWINGARM



MCS3-F2900

MCS3F2900

3 =ST1300'03  
 3A=ST1300A'03  
 4 =ST1300'04  
 4A=ST1300A'04

F-29

Frame  
 Serial Number

Ref	Description	Model	From	To	AREA	QTY	Part Number	H/C
1	JOINT, YOKE .....	3 3A	-----	-----	AC	1	40200-MCS-G00	7125834
		4 4A	-----	-----	A	1	40200-MCS-G00	7125834
2	SHAFT, PROPELLER .....	3 3A	-----	-----	AC	1	40201-MCS-G00	7125842
		4 4A	-----	-----	A	1	40201-MCS-G00	7125842
3	SPRING, PROPELLER SHAFT .....	3 3A	-----	-----	AC	1	40215-MCS-G00	7125859
		4 4A	-----	-----	A	1	40215-MCS-G00	7125859
4	RING, STOPPER .....	3 3A	-----	-----	AC	1	40221-MB0-000	1247451
		4 4A	-----	-----	A	1	40221-MB0-000	1247451
5	BOOT, JOINT .....	3 3A	-----	-----	AC	1	52104-MCS-G00	7127095
		4 4A	-----	-----	A	1	52104-MCS-G00	7127095
6	SWINGARM SUB-ASSY., RR. ....	3	-----	-----	AC	1	52200-MCS-610	7127111
		4	-----	-----	A	1	52200-MCS-610	7127111
	SWINGARM SUB-ASSY., RR. ....	3A	-----	-----	AC	1	52200-MCS-G00	7127103
		4A	-----	-----	A	1	52200-MCS-G00	7127103
7	COLLAR, SHOCK CONNECTING ROD ....	3 3A	-----	-----	AC	1	52463-MAL-G00	5289970
		4 4A	-----	-----	A	1	52463-MAL-G00	5289970
8	BOLT, R. SWINGARM PIVOT .....	3 3A	-----	-----	AC	1	90121-MCS-G03	7646532
		4 4A	-----	-----	A	1	90121-MCS-G03	7646532
9	BOLT, L. SWINGARM PIVOT .....	3	-----	3M100005	AC	1	90122-MCS-G00	7128739
		3A	-----	3M100007	AC	1	90122-MCS-G00	7128739
	BOLT, L. SWINGARM PIVOT .....	3 3A	-----	-----	AC	1	90122-MCS-G01	7217441