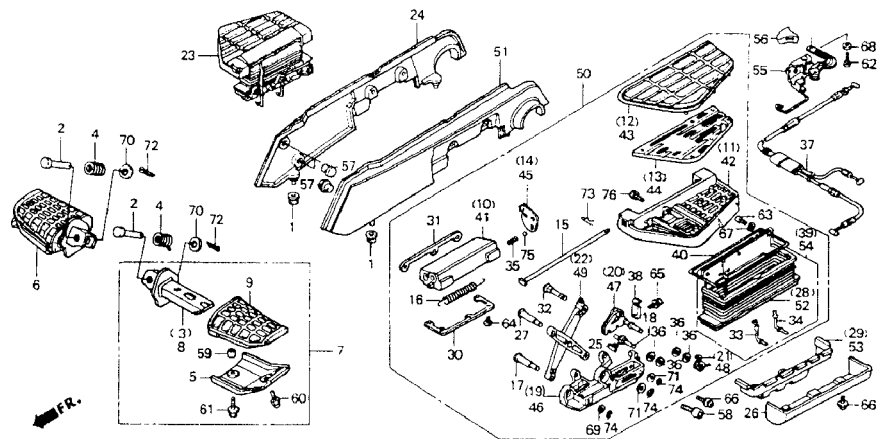


Catalog Title:
GL1500A / GL1500SE / GL1500I '92 '93

Block No.
F 2701

Block Title:
STEP (SE)



Ref. No.	Part No.	Description
1	19113-MB1-870	RUBBER
2	50603-MN5-000	PIN, STEP PIVOT
3	50612-MT2-000	BAR COMP., R. STEP
4	50617-MB1-700	SPRING, STEP RETURN
5	50619-MN5-000	COVER, STEP LOW
6	50630-MT2-000	STEP ASSY., R. MAIN
7	50640-MT2-000	STEP ASSY., L. MAIN
8	50642-MT2-000	BAR COMP., L. STEP
9	50661-MN5-000	RUBBER, MAIN STEP
10	50715-MT8-771	HOLDER, R.
11	50716-MT8-771	PLATE, R.
12	50718-MN5-000	RUBBER, R.
13	50719-MN5-000	PLATE, R. FOOT
14	50720-MT8-770	PLATE
15	50721-MT8-770	PIN, PILLION STEP
16	50722-MT8-770	SPRING, ADJUSTER
17	50723-MT8-770	PIN (6MM)
18	50724-MT8-770	PIN (6MM)
19	50725-MT8-771	BRACKET, R.
20	50726-MT8-770	ARM, R. STOPPER
21	50727-MT8-770	SPRING, R.
22	50729-MT8-770	LINK COMP., R.
23	50730-MT8-770	STEP ASSY., R.
24	50731-MW5-770	COVER, R.
25	50732-MT8-770	RUBBER, STOPPER