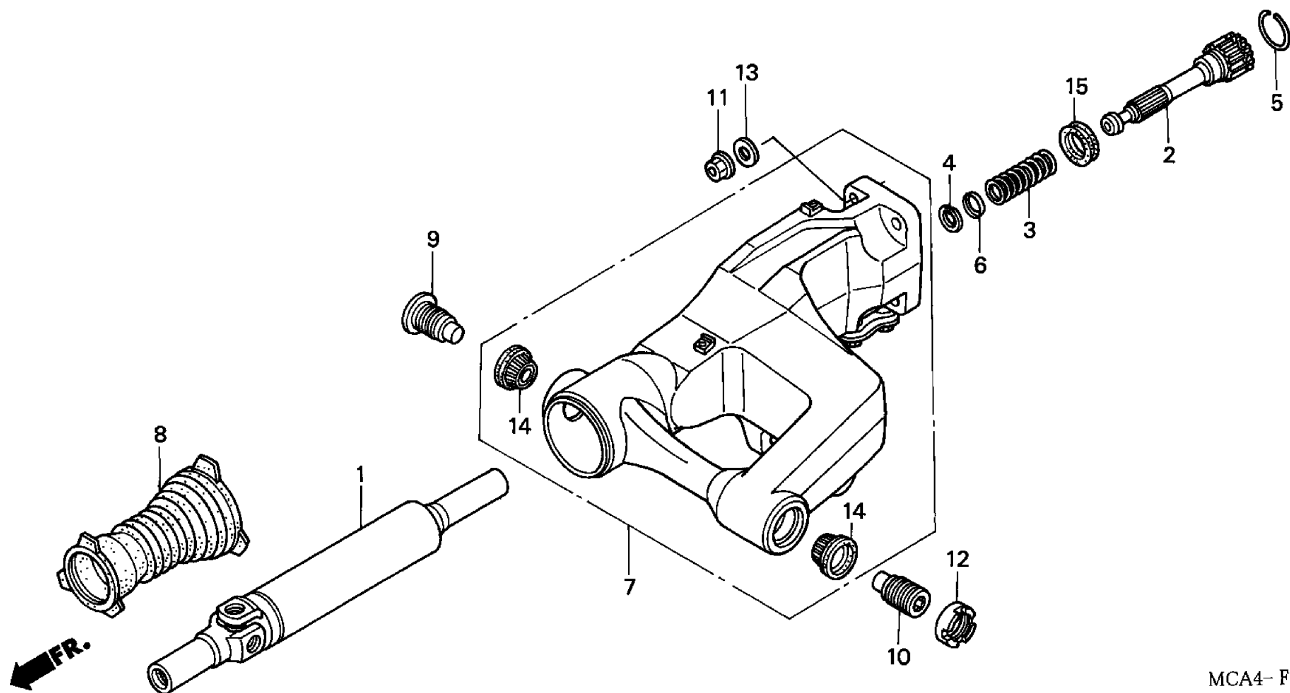


SWINGARM



MCA4- F2800

MCA4F2800

1 =GL1800'01 1A=GL1800A'01 2 =GL1800'02 2A=GL1800A'02	3 =GL1800'03 3A=GL1800A'03 4 =GL1800'04 4A=GL1800A'04	F-28 Frame Serial Number	
--	--	--	--

Ref	Description	Model	From	To	QTY	Part Number	H/C
15	OIL SEAL (27X43X7)	1 1A 2 2A 3 3A 4 4A	-----	-----	1	91261-ME9-005	1371194