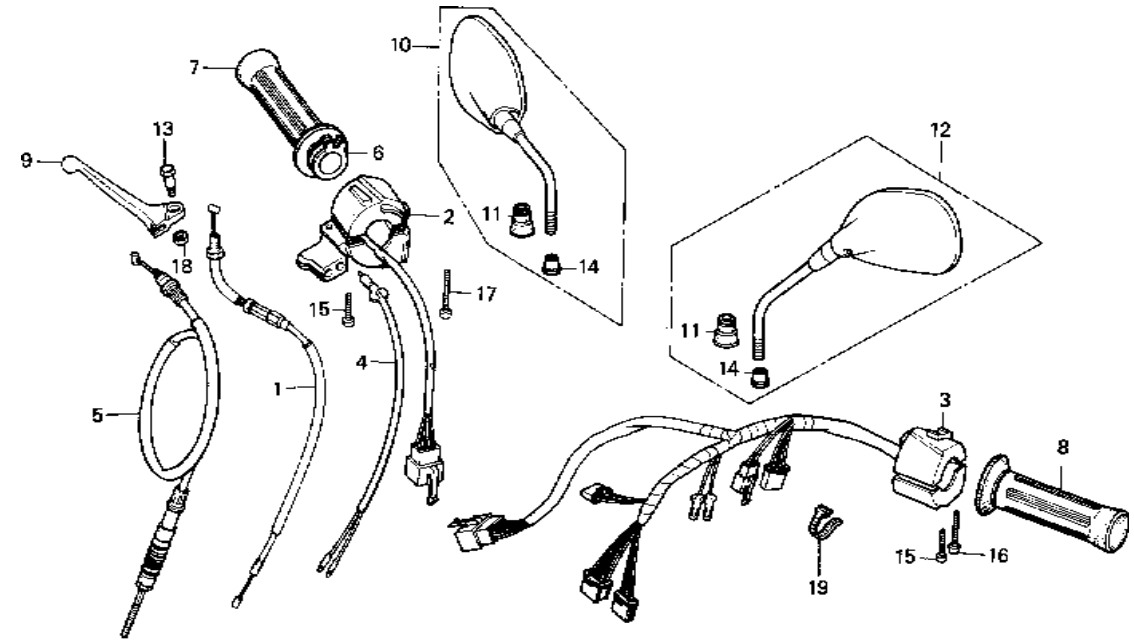


**F - 3**  
 Handle Lever/  
 Switch/Cable



**3**

Service item	F.R.T.	No.	Part Number	Description	Q'ty	Notes
		16	93500-05035-0A	SCREW, PAN, 5X35	1	
		17	93500-05040-0A	SCREW, PAN, 5X40	1	
		18	94001-05000-0S	NUT, HEX., 5MM	1	
		19	95014-62100	BAND B1, WIRE	1	