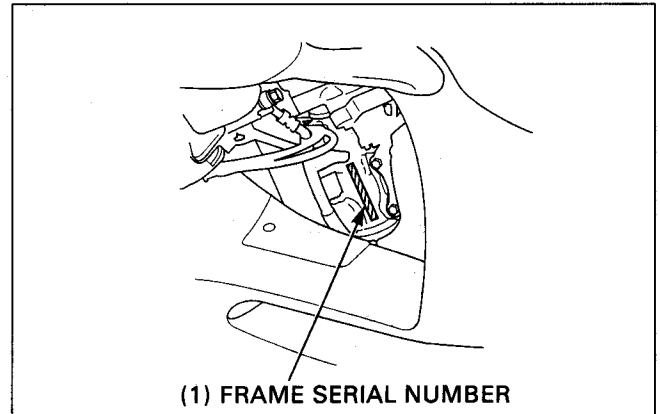
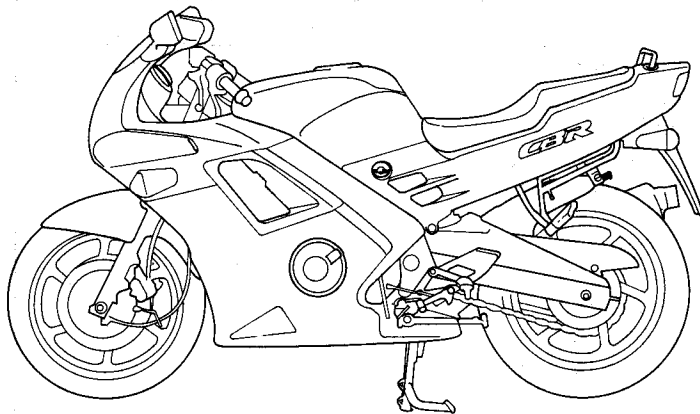
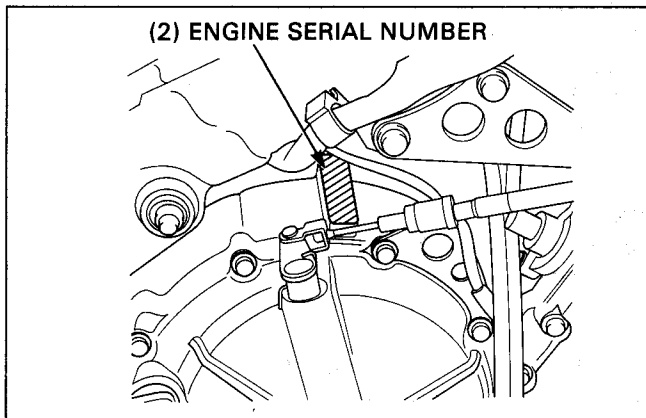


Model Identification



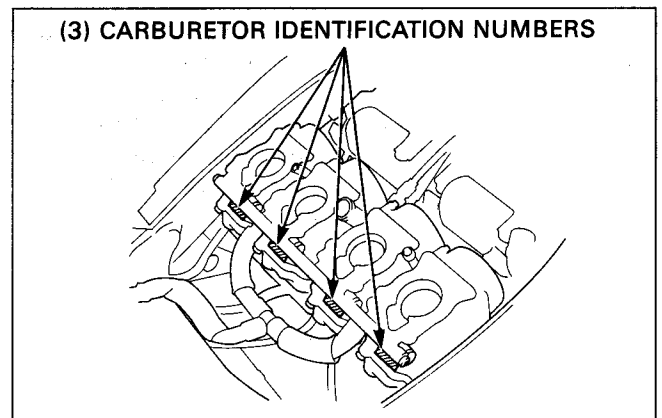
(1) FRAME SERIAL NUMBER

The frame serial number is stamped on the right side of the steering head.



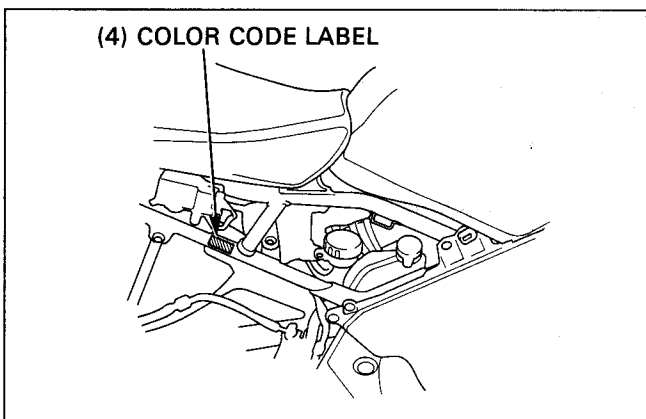
(2) ENGINE SERIAL NUMBER

The engine serial number is stamped on the upper crankcase.



(3) CARBURETOR IDENTIFICATION NUMBER

The carburetor identification numbers are on the carburetor or body intake sides.



(4) COLOR CODE LABEL

The color code label is attached on the frame under the right side cover. When ordering color-coded part, always specify its designated color.