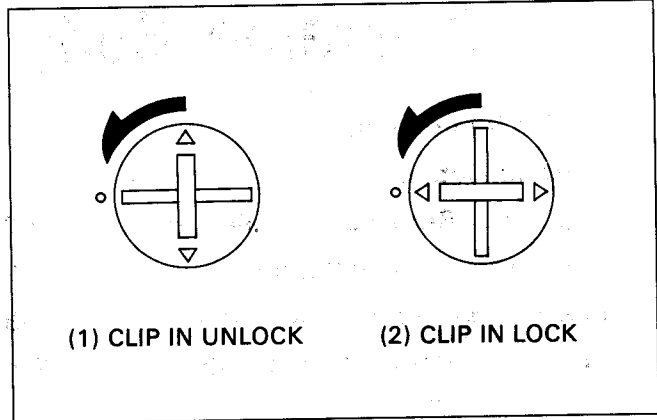


Side Cover Removal/Installation

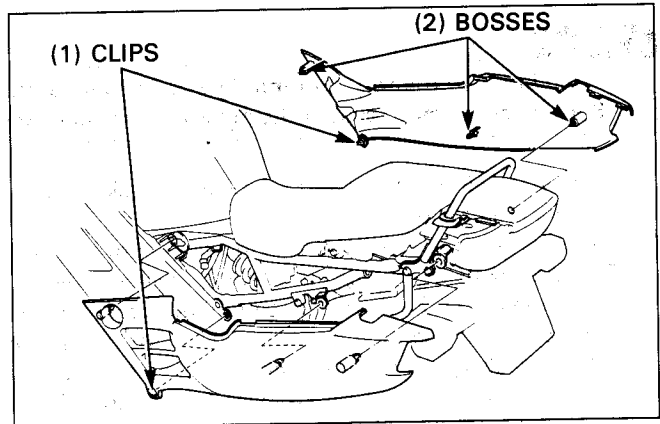
Unlock the clips by aligning the long slit with the punch mark.



Remove the side cover by releasing the bosses on the cover from the grommets.

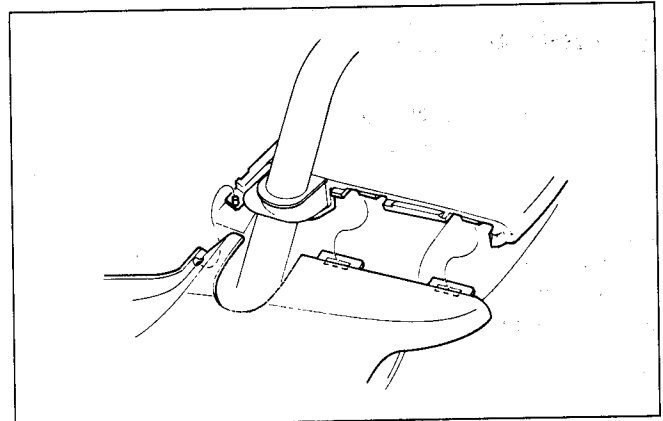
CAUTION

Be careful not to break the pins, tabs and slits of the side cover and tail cowl when removing the side cover.



Install the side cover aligning its bosses with the grommets and engage the tabs with the slits, and pins with the holes securely as shown.

Lock the clip by aligning the "△" mark with the punch mark. Do the same on the other side.



Seat Removal/Installation

Remove the side covers.

Remove the seat by removing the bolts and sliding the seat back.

Install the seat in the reverse order of removal and install the side covers.

