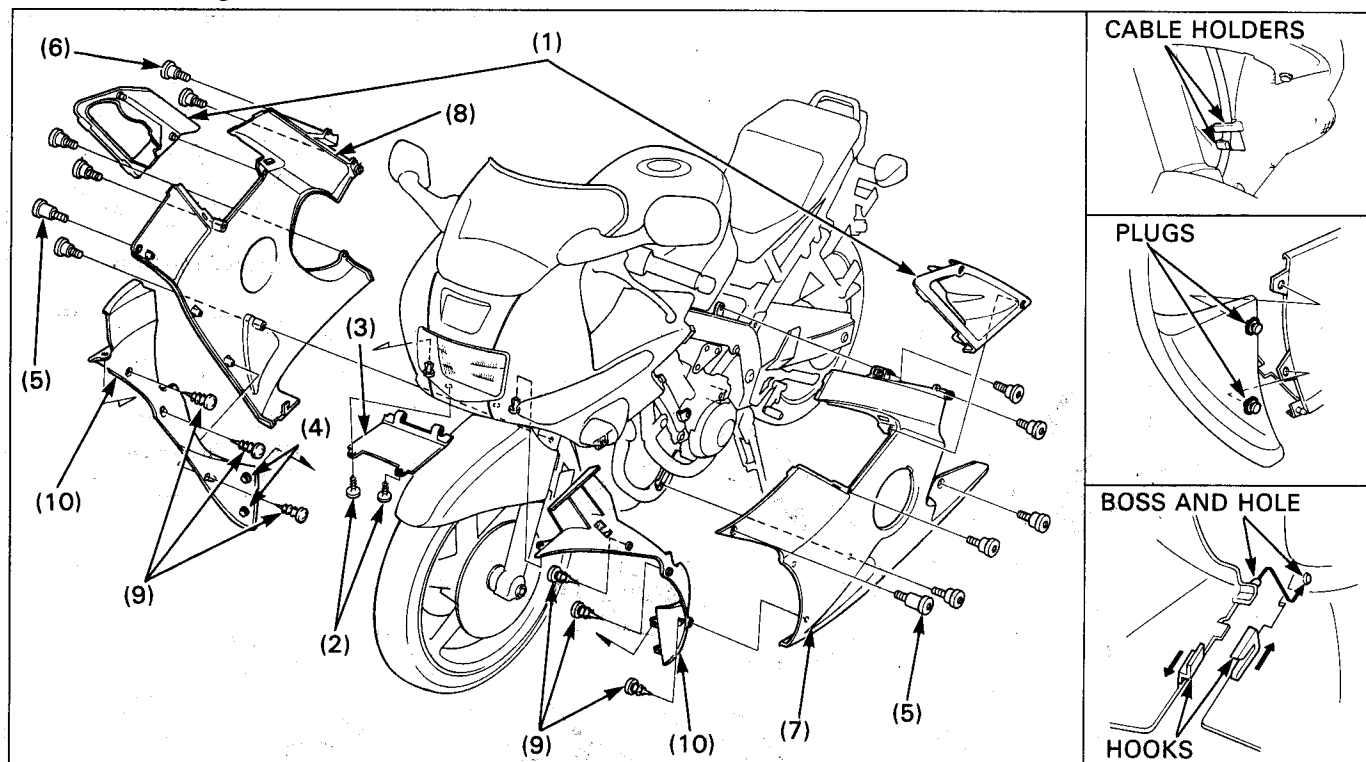


Side Fairing Removal/Installation



Requisite Service

- Side cover removal/installation (page 2-2)

Procedure	Q'ty	Remarks
Removal Order		Installation is in the reverse order of removal.
(1) Maintenance lid	2	
(2) Tapping screw	2	
(3) Headlight under lid	1	Release the claws from the front cowl stay. Be careful not to break off the claws.
(4) Retaining plug	2	
(5) Hex bolt (long)	2	
(6) Hex bolt (short)	10	
(7) Left side fairing	1	NOTE <ul style="list-style-type: none"> • Separate the left side fairing from the right one by disengaging the hooks on the bottoms of the fairings. • When assembling the side fairings, align the boss on the left side fairing with the hole in the right one. • Left and right side fairings can be removed without removing the side fairing inner covers.
(8) Right side fairing	1	Replace the speedometer cable from the cable holder on the inner cover.
(9) Tapping screw	6	
(10) Side fairing inner cover (right/left)	1/1	