

## Air Cleaner

Remove the fuel tank (page 2-11).

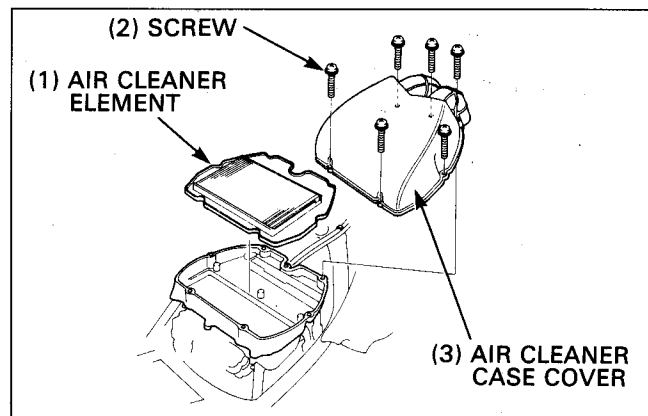
Remove the seven screws, air cleaner case cover and air cleaner element.

Discard the air cleaner element in accordance with the maintenance schedule.

Also, replace the element any time it is excessively dirty or damaged.

Install the removed parts in the reverse order of removal.

Install the fuel tank (page 2-11).



## Spark Plug

### ⚠ WARNING

- Do not touch the exhaust pipe while it is hot.

### NOTE

- For detailed instructions, refer to section 2 of the Common Service Manual.
- No. 1 spark plug can be serviced from the right side and No. 2, No. 3 and No. 4 spark plugs can be serviced from the left side.

Remove the maintenance lids by turning the quick screws counterclockwise.

The spark plug is included in the tool kit.

Disconnect the spark plug caps and clean away dirt from around the spark plug bases.

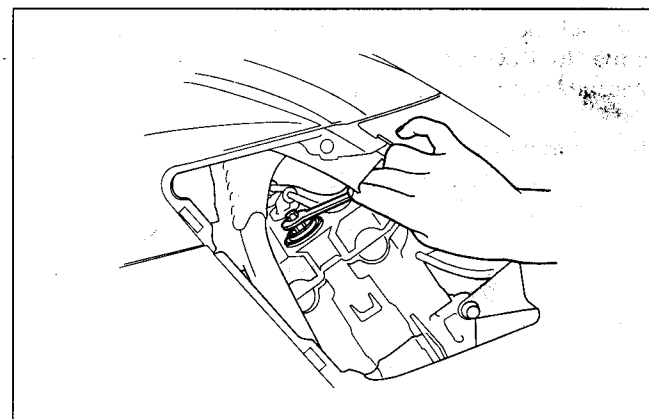
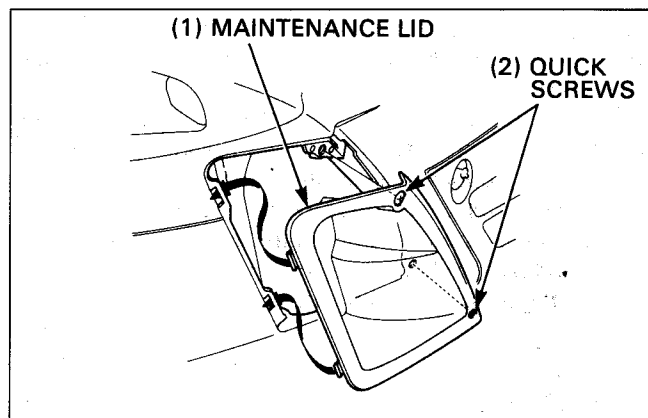
Pull the wrench out of the cylinder head.

Remove the spark plug from the wrench.

Install the spark plug in the reverse order of removal.

Tighten the spark plug 1/2 turn with the spark plug wrench to compress the sealing washer. If the old plug is retightened, tighten it 1/8-1/4 turn to compress the sealing washer.

Install the maintenance lids and secure them by turning the quick screws clockwise.



## Valve Clearance

### Inspection

### NOTE

- Adjust the valve clearance while the engine is cold (below 35° C/95° F).

Remove the air cleaner base (page 6-3).

Remove the radiator mounting bolts and release the grommet on the radiator top from the boss on the frame.

Move the radiator forward and secure it to the fork pipe with pieces of string as shown.

