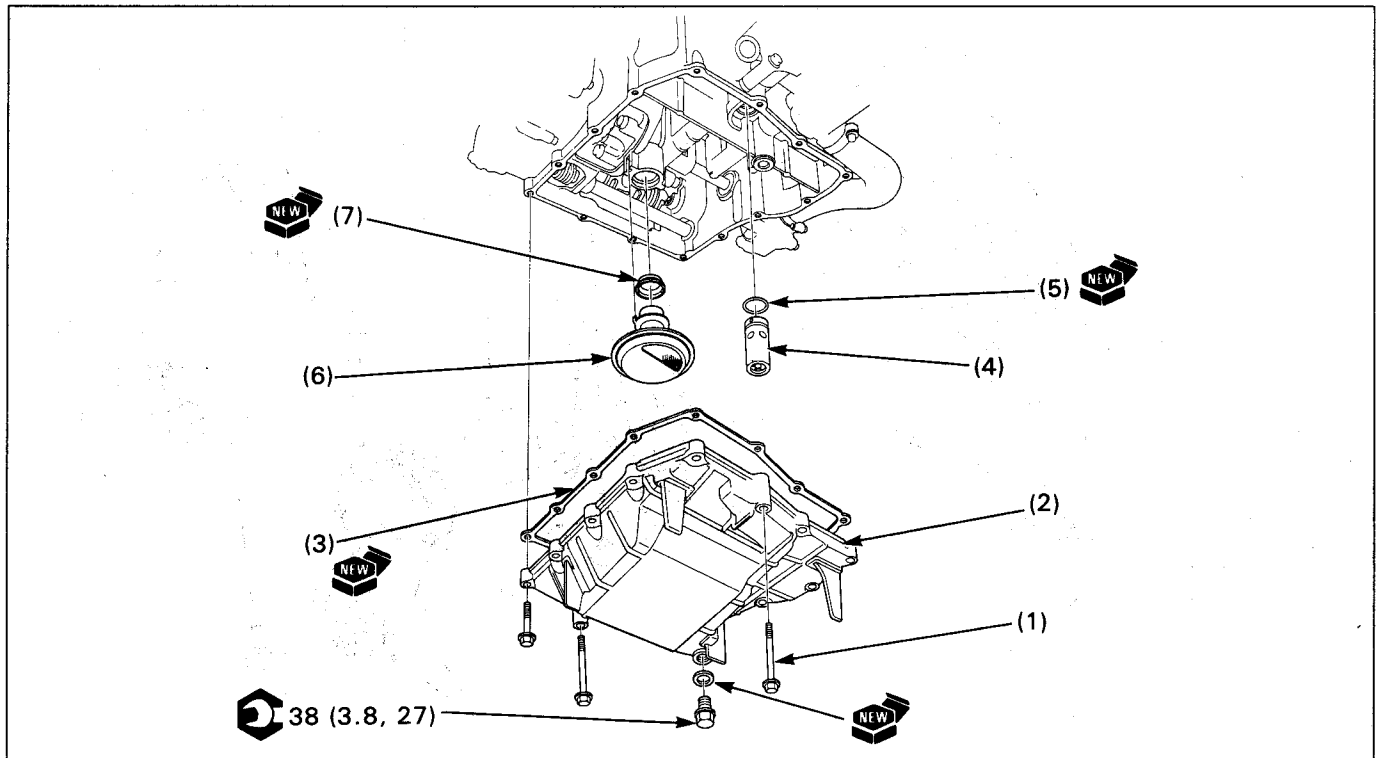


Oil Pan Removal/Installation



Requisite Service

- Exhaust pipe removal/installation (page 2-10)

Procedure	Q'ty	Remarks
Removal Order		Installation is in the reverse order of removal.
(1) Oil pan bolt	14	Tighten the bolts in a gradual, crisscross pattern.
(2) Oil pan	1	Clean the liquid sealant residue off the mating surfaces.
(3) Gasket	1	
(4) Pressure relief valve	1	
(5) O-ring	1	
(6) Oil strainer	1	
(7) Oil strainer packing	1	Install the oil strainer packing in the lower crankcase with its flange side facing oil strainer.