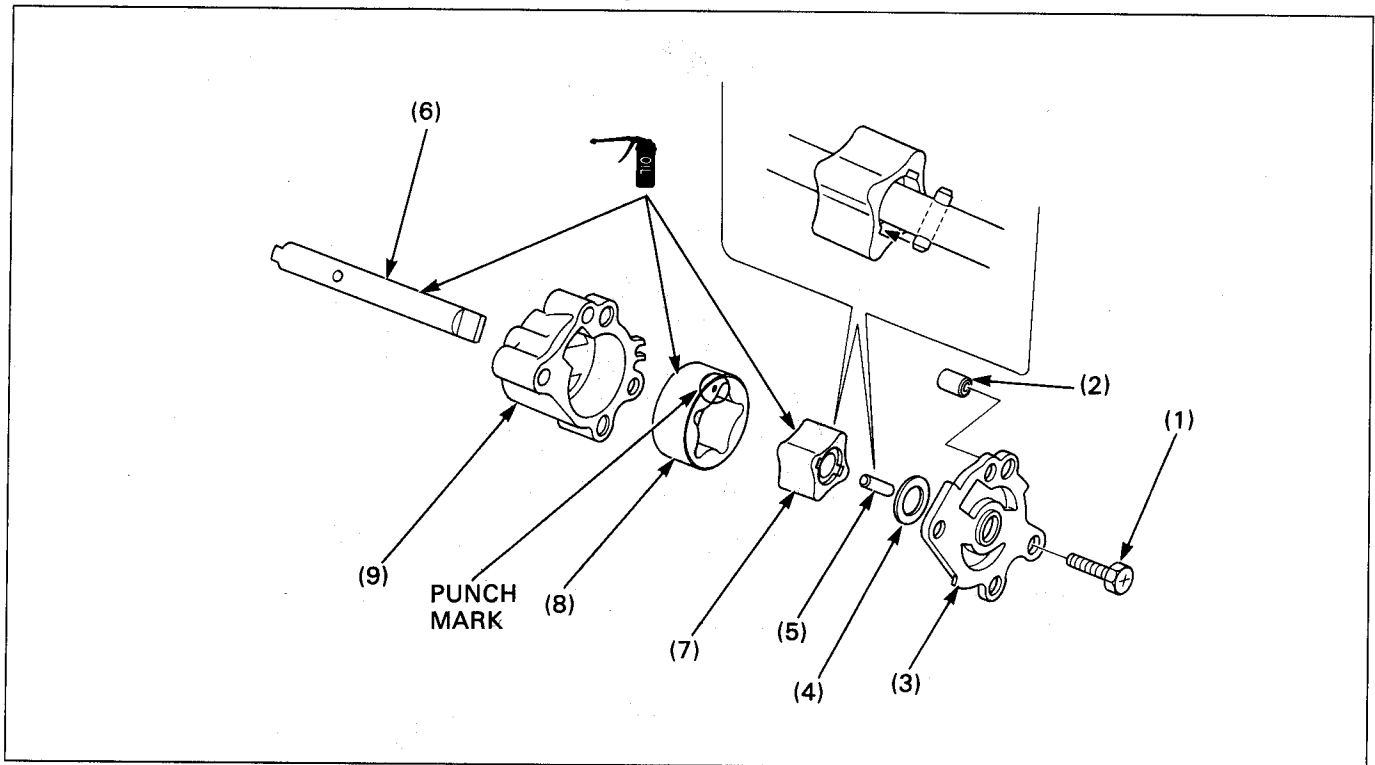


# Oil Pump Disassembly/Assembly



**NOTE**

- If any portion of the oil pump is beyond the specified service limits, replace the oil pump as assembly.
- Before assembling, clean all the parts throughly with clean engine oil.
- Refer to section 4 of the Common Service Manual for inspection information.

**Requisite Service**

- Oil pump removal/installation(page 4-4)

Procedure	Q'ty	Remarks
<b>Disassembly Order</b>		Assembly is in the reverse order of disassembly.
(1) Oil pump cover bolt.	1	
(2) Dowel pin	1	
(3) Oil pump cover	1	
(4) Thrust washer	1	
(5) Drive pin	1	Install the drive pin into the hole in the pump shaft and align the pin with the groove in the inner rotor.
(6) Oil pump shaft	1	
(7) Inner rotor	1	
(8) Outer rotor	1	Install the outer rotor with the punch mark facing the oil pump cover.
(9) Oil pump body	1	