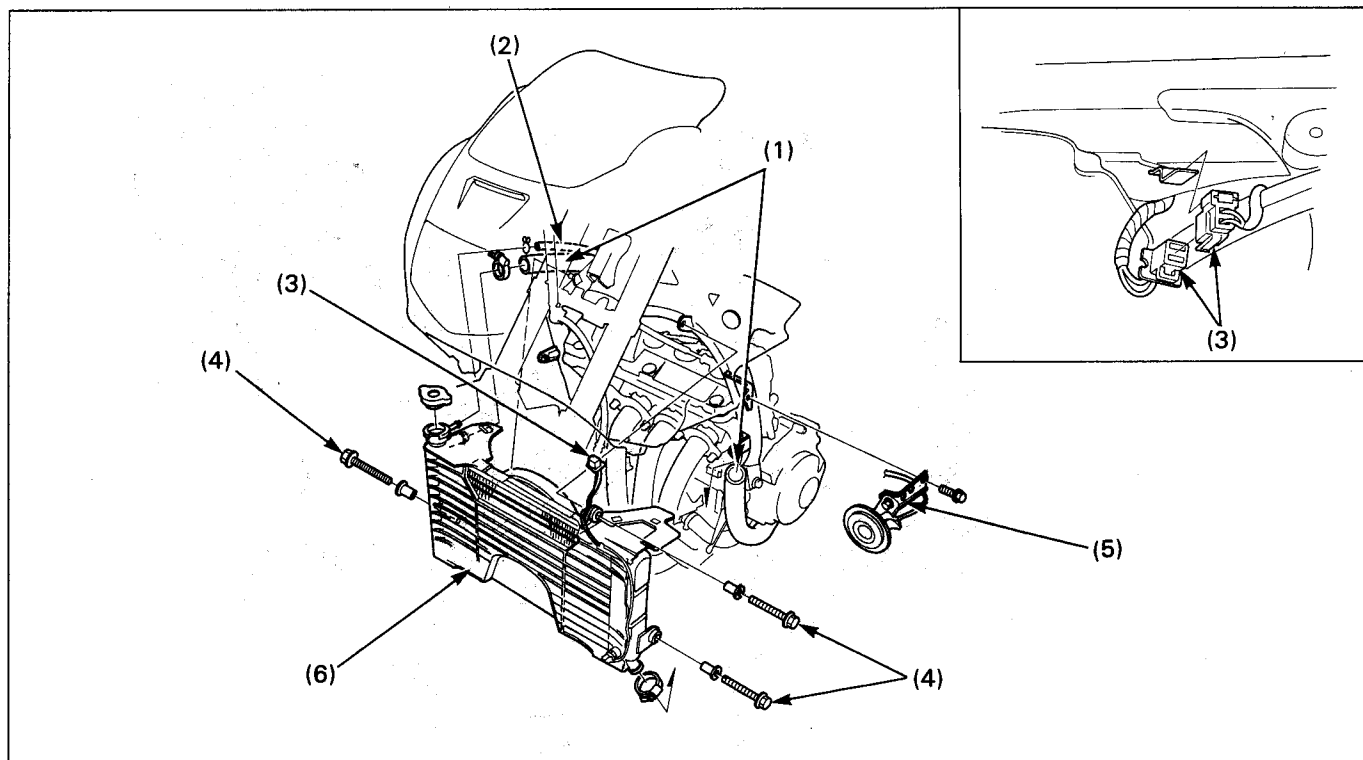


# Radiator Removal/Installation



## Requisite Service

- Side fairing removal/installation (page 2-3)
- Air cleaner case removal/installation (page 6-3)
- Coolant draining (page 5-3)
- Coolant refill (section 5 of the Common Service Manual)

Procedure		Q'ty	Remarks
	<b>Removal Order</b>		Installation is in the reverse order of removal.
(1)	Radiator hose	2	
(2)	Radiator siphon tube	1	
(3)	Fan motor connector	1	
(4)	Radiator mounting bolt	3	
(5)	Horn stay	1	
(6)	Radiator assembly	1	
			<p><b>CAUTION</b></p> <ul style="list-style-type: none"> <li>• During removal and installation, be careful not to damage the radiator fins.</li> </ul> <p>When installing, align the grommet on the top of the radiator assembly with the boss on the frame.</p>