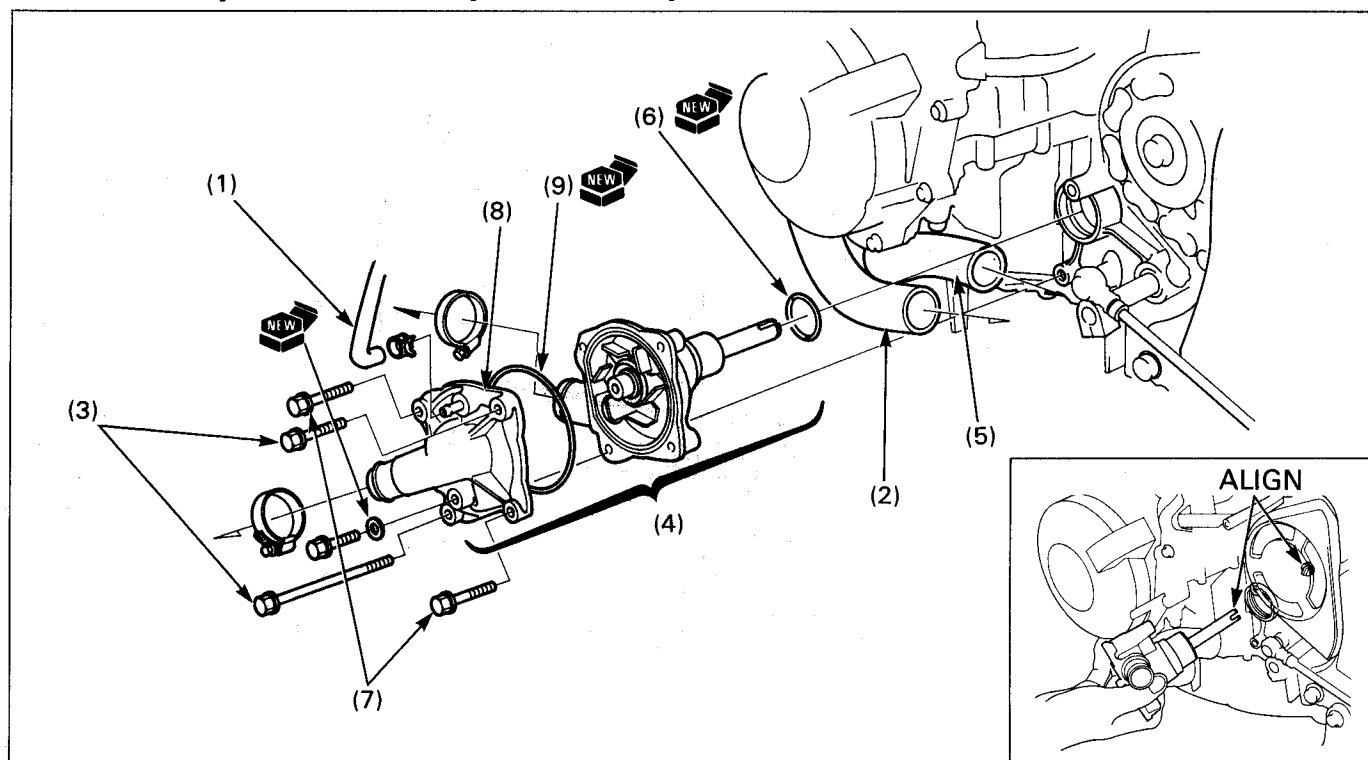


## Water Pump Disassembly/Assembly



### Requisite Service

- Side fairing removal/installation (page 2-3)
- Coolant draining (page 5-3)
- Coolant refill (section 5 of the Common Service Manual)

Procedure	Q'ty	Remarks
<b>Disassembly Order</b>		Assembly is in the reverse order of disassembly.
(1) Water hose (to cylinder head)	1	
(2) Water hose (to radiator)	1	
(3) Water pump mounting bolt	2	<b>NOTE</b> • If you plan to disassemble the water pump, loosen the water pump cover bolts before loosening the mounting bolts.
(4) Water pump assembly	1	When installing, align the cut-out of the water pump shaft with the end of the oil pump shaft.
(5) Water hose (to oil cooler)	1	
(6) O-ring	1	
(7) Water pump cover bolt	2	
(8) Water pump cover	1	
(9) O-ring	1	