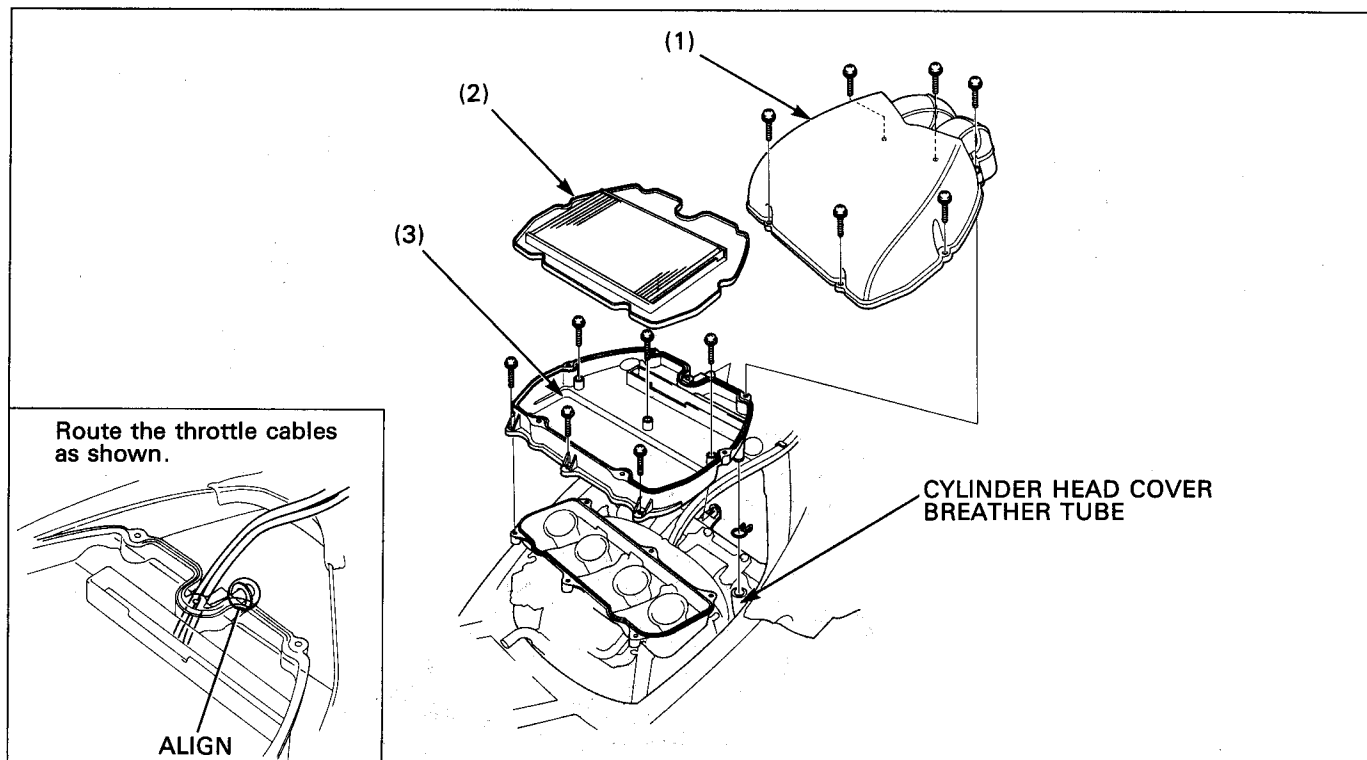


# Air Cleaner Case Removal/Installation



## Requisite Service

- Fuel tank removal/installation (page 2-11)

Procedure	Q'ty	Remarks
<p><b>Removal Order</b></p> <p>(1) Air cleaner case cover</p> <p>(2) Air cleaner element</p> <p>(3) Air cleaner base</p>	<p>1</p> <p>1</p> <p>1</p>	<p>Installation is in the reverse order of removal</p> <p><b>NOTE</b></p> <ul style="list-style-type: none"> <li>Before removing the air cleaner base, disconnect the cylinder head cover breather tube from the air cleaner base.</li> <li>When installing, align the boss on the front end of the air cleaner base with the hook on the frame.</li> <li>Route the throttle cables through the cut-out in the air cleaner base.</li> </ul>