

## Engine Removal/Installation

### Drive Sprocket Removal/Installation

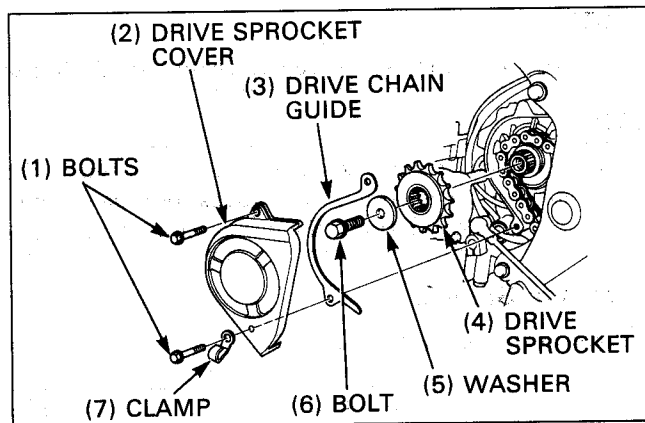
Remove the following:

- drive sprocket cover bolts
- clamp
- drive sprocket cover
- drive chain guide
- drive sprocket bolt
- washer
- drive sprocket

Install the removed parts in the reverse order of removal.

**Torque:**

Drive sprocket bolt:  $55\text{N}\cdot\text{m}$  (5.5kg-m, 40ft-lb)



### Engine Hanger Adjusting Bolt/Lock Nut Installation

Install the engine hanger adjusting bolt so that its edge does not come out of the frame inner surface.

Install the rear upper engine hanger bolt through the frame, engine, collar and the adjusting bolt.

Push the rear upper engine hanger bolt so that you can tighten the adjusting bolt with a hexiagonal wrench.

**Torque:  $15\text{N}\cdot\text{m}$  (1.5kg-m, 11ft-lb)**

Tighten the lock nut while holding the adjusting bolt with a hexiagonal wrench.

**Torque:  $65\text{N}\cdot\text{m}$  (6.5kg-m, 47ft-lb)**

Push the rear upper engine hanger bolt fully and tighten the nut.

