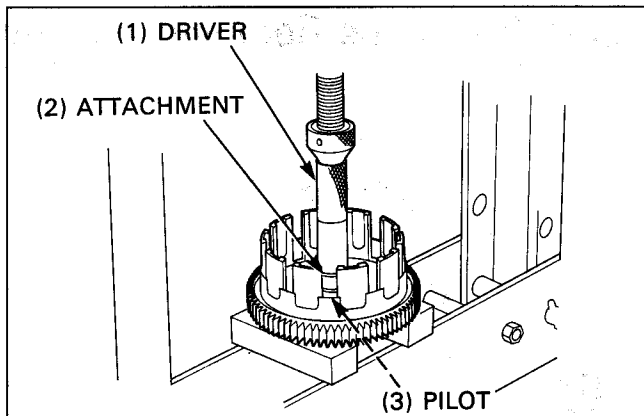


Clutch Outer Needle Bearing Replacement

Press the needle bearing out of the clutch outer.

S TOOL

Driver	07749-001000
Attachment, 32×35mm	07746-0010100
Pilot, 30mm	07746-0040700



Press a new needle bearing into the clutch outer so that the edges of the needle bearing and clutch outer are flush.

S TOOL

Driver	07749-001000
Attachment, 32×35mm	07746-0010100
Pilot, 30mm	07746-0040700

