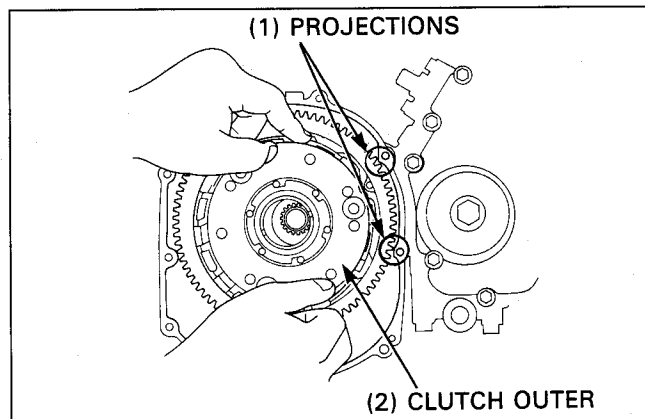


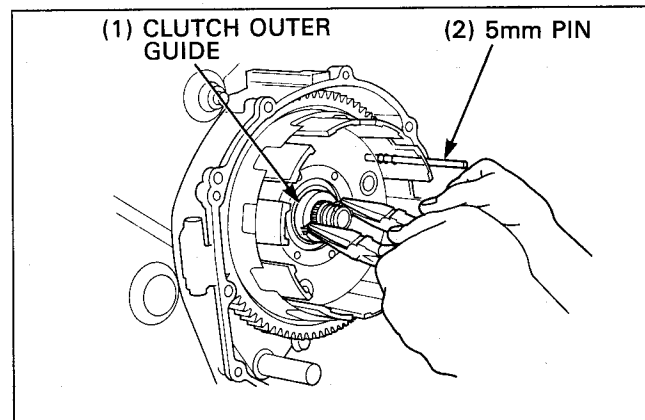
Clutch Outer Installation

Install the clutch outer onto the mainshaft by aligning the projections of the crankcase with between the teeth of the primary driven gears.



Install the clutch outer guide with the lib side facing out. Install the clutch outer properly, aligning the clutch outer holes with the oil pump drive sprocket bosses by rotating the oil pump driven sprocket while holding the clutch outer and pushing in on it lightly.

After installing the clutch outer guide, remove the 5mm pin from the primary driven gears.



Clutch Center Lock Nut Installation

Set the clutch center holder to the pressure plate and loosely install the nuts.

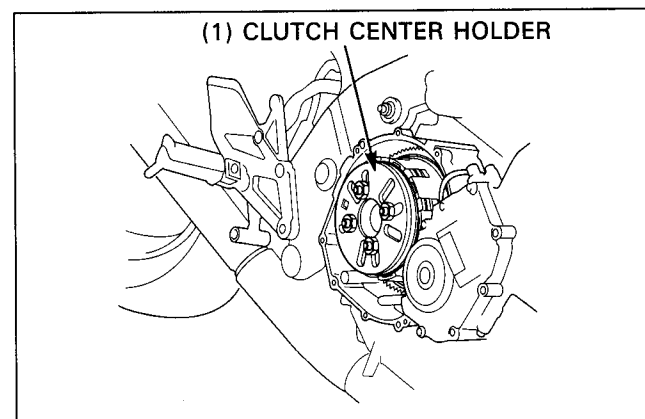
S TOOL

Clutch center holder

07JMB-MN50300

Temporarily remove the tool and tighten the nuts, then reinstall the clutch center holder onto the bosses of the pressure plate.

Use at least two clutch lifter plate bolts to secure the tool onto the pressure plate.



Tighten the clutch center lock nut while holding the pressure plate with a clutch center holder.

S TOOL

Lock nut wrench, 17×27mm
Extension bar

07716-0020300
07716-0020500

Torque: 85N·m (8.5kg-m, 61ft-lb)

Stake the lock nut as shown.

