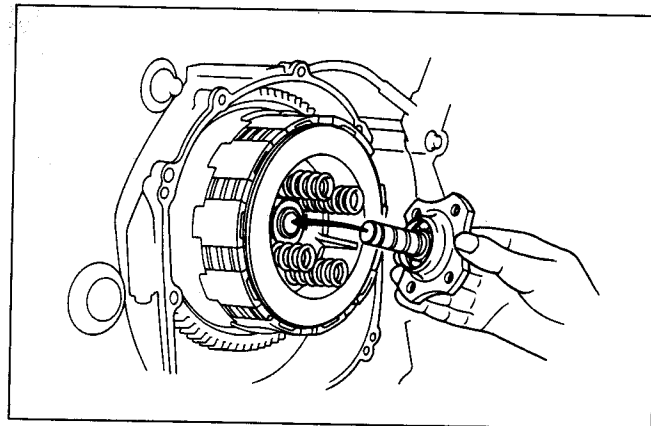


### Clutch Lifter Rod Installation

Assemble the clutch lifter rod, stopper ring and clutch lifter plate, and install the assembly to the clutch pressure plate.



Secure the lifter plate by tightening the bolts in crisscross pattern in several steps.

#### NOTE

- If the clutch lifter rod comes out while tightening the clutch lifter plate bolts, push the rod all the way in to prevent the rod from being excentric.

