

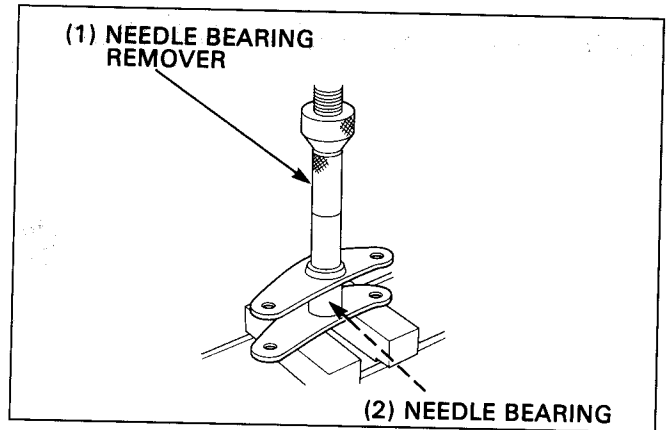
Suspension Linkage Pivot Needle Bearing Replacement

Shock Arm

Press the needle bearing out of the shock arm.

S TOOL

Pin driver 07GMD-KT80100 or
 Driver 07749-0010000
 Pilot, 22 mm 07746-0041000



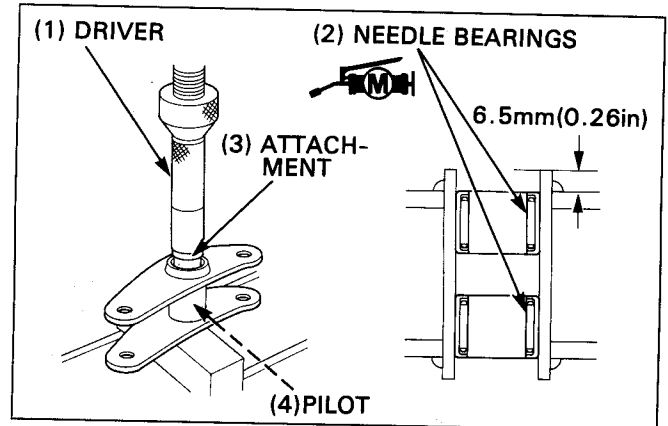
Press a new needle bearing into the shock arm so that the needle bearing outer surface is lower 6.5 mm (0.26 in) from the end of the shock arm pivot.

S TOOL

Driver 07749-0010000
 Attachment, 24×26 mm 07746-0010700
 Pilot, 17 mm 07746-0040400

NOTE

- Press the needle bearing with the stamped side facing out.

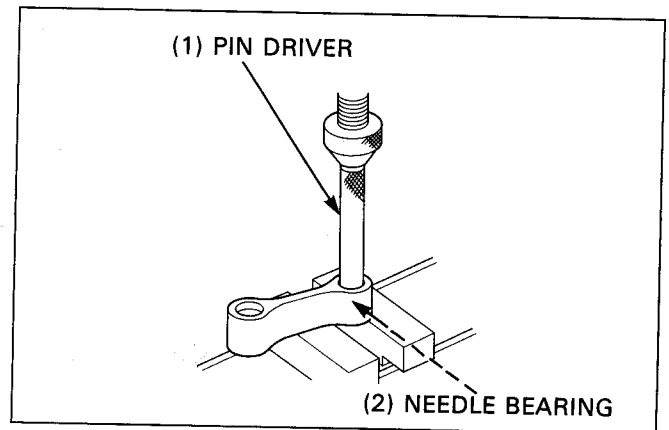


Shock Link

Press the needle bearing out of the shock link.

S TOOL

Pin driver 07GMD-KT80100 or
 Driver 07749-0010000
 Pilot, 22 mm 07746-0041000



Press a new needle bearing into the shock link so that the needle bearing outer surface is lower 5.7 mm (0.22 in) from the end of the shock link pivot.

S TOOL

Driver 07749-0010000
 Attachment, 24×26 mm 07746-0010700
 Pilot, 17 mm 07746-0040400

NOTE

- Press the needle bearing with the stamped side facing out.

