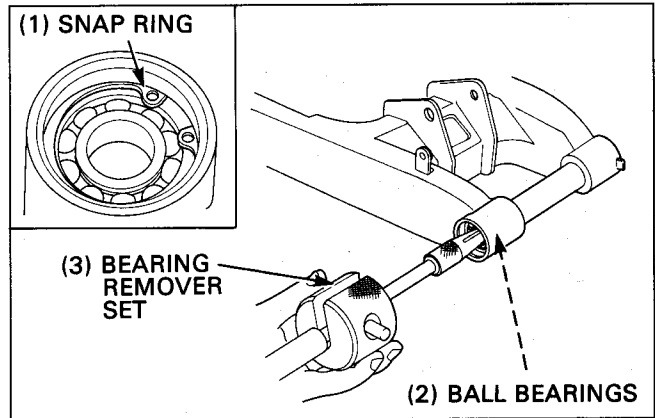


## Swingarm Pivot Bearing Replacement

Remove the snap ring.  
Remove the right pivot bearings (radial ball bearings) from the swigarm.

**S TOOL**

<b>Bearing remover set</b>	<b>07936-KC10000</b>
-Bearing remover head, 15mm	<b>07936-KC10200</b>
-Remover handle	<b>07936-KC10100</b>
-Remover sliding weight	<b>07741-0010201</b>



Press new radial ball bearings into the right swingarm pivot one at a time.

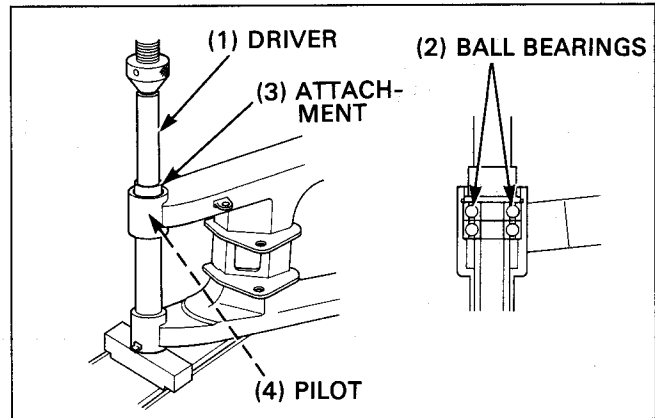
**S TOOL**

<b>Driver</b>	<b>07749-0010000</b>
<b>Attachment, 32×35 mm</b>	<b>07746-0010100</b>
<b>Pilot, 15 mm</b>	<b>07746-0040300</b>

### NOTE

- Install the bearing with the stamped side facing out.

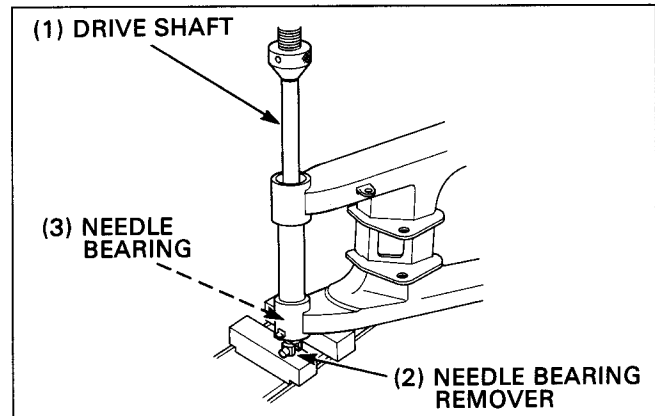
Install the snap ring with the chamfered side facing in.



Press the needle bearing out of the left swingarm pivot.

**S TOOL**

<b>Needle bearing remover.</b>	<b>07GMD-KT70200</b>
<b>Driver shaft</b>	<b>07949-MJ00100</b>



Press a new needle bearing with the stamped side facing out.

**S TOOL**

<b>Driver</b>	<b>07749-0010000</b>
<b>Attachment, 28×30 mm</b>	<b>07946-1870100</b>
<b>Pilot, 22 mm</b>	<b>07746-0041000</b>

### NOTE

- The bearing surface should be flush with the pivot inside surface as shown.

