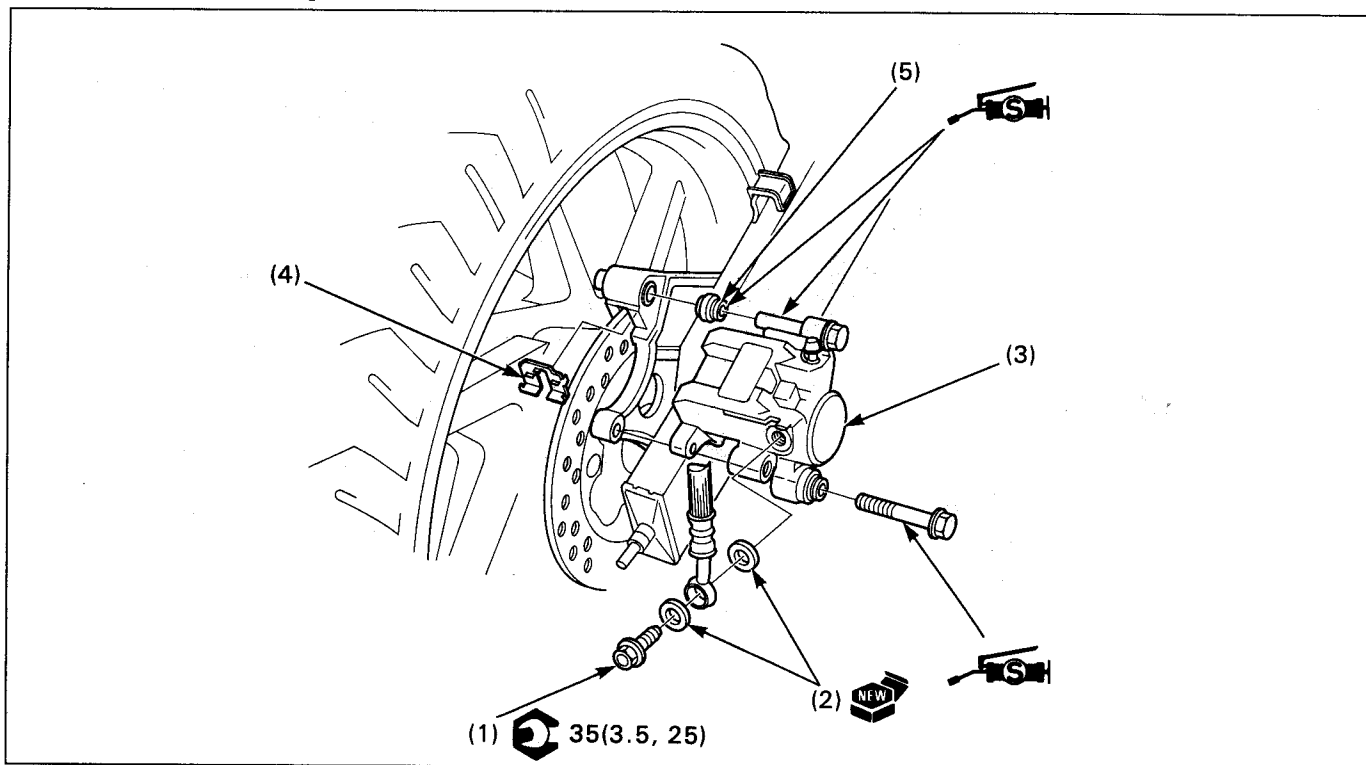


Rear Brake Caliper Removal/Installation



⚠ WARNING

- Do not get grease on the brake disc or stopping power will be reduced.
- Discard contaminated pads and clean a contaminated disc with a high quality brake degreasing agent.
- Check the brake system by applying the brake after pad replacement.

NOTE

- The brake pad replacement can be serviced without disconnecting the hydraulic system.
- Always replace the brake pads in pairs to assure even disc pressure.

Requisite Service

- Rear brake pad removal/installation(page 14-2)

Procedure	Q'ty	Remarks
Removal Order		Installation is in the reverse order of removal.
(1) Brake hose bolt	1	
(2) Sealing washer	2	
(3) Rear brake caliper assembly	1	
(4) Pad retainer	1	
(5) Rubber boot	1	Install the boot into the bracket groove securely.