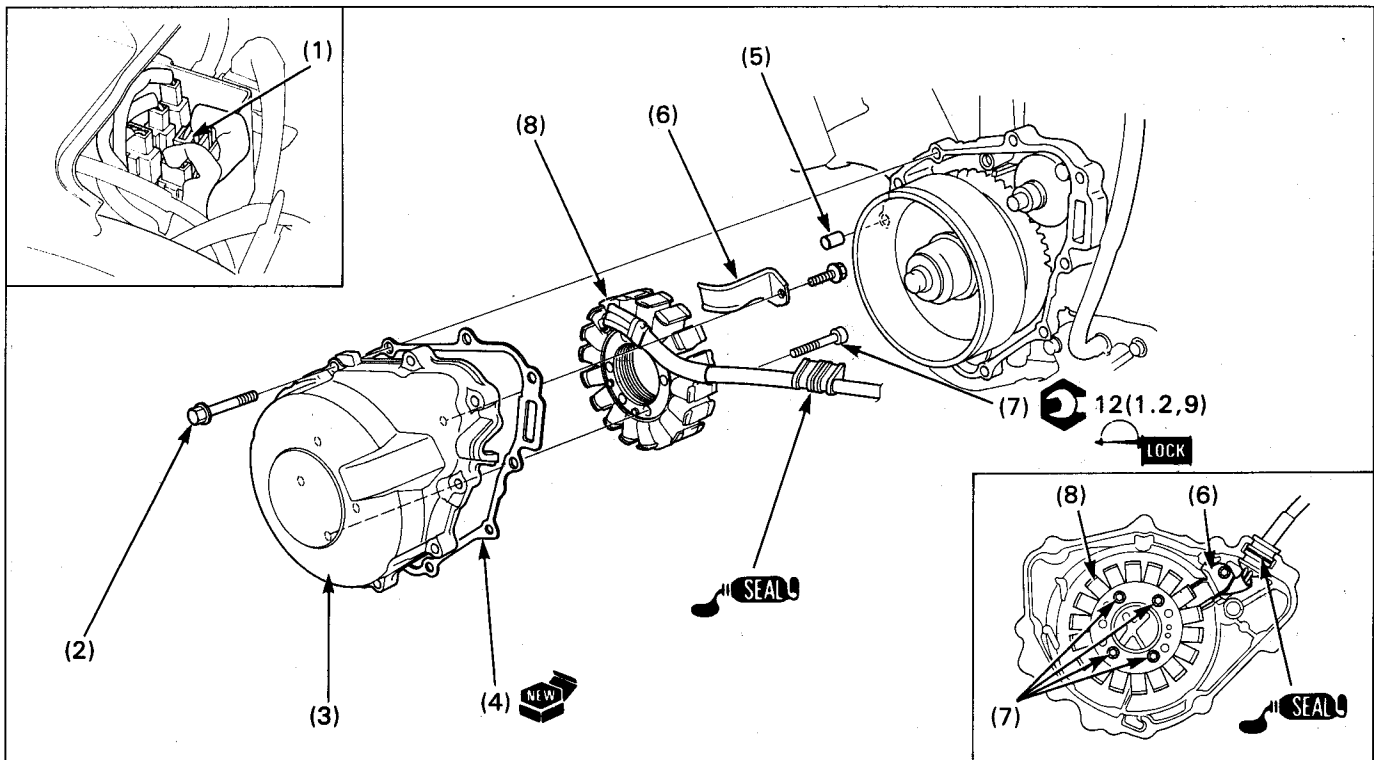


Alternator Removal/Installation



Requisite Service

- Fuel tank removal/installation (page 2-11)
- Right side fairing removal/installation (page 2-3)

Procedure	Q'ty	Remarks
Removal Order		Installation is in the reverse order of removal.
(1) Alternator connector	1	
(2) Left crankcase cover bolt (long/short)	9/1	
(3) Left crankcase cover	1	
(4) Gasket	1	
(5) Dowel pin	1	
(6) Stator wire holder	1	
(7) Stator bolt	4	
(8) Stator	1	When installing, apply sealant to the grommet and install the grommet securely into the groove in the left crankcase cover.