

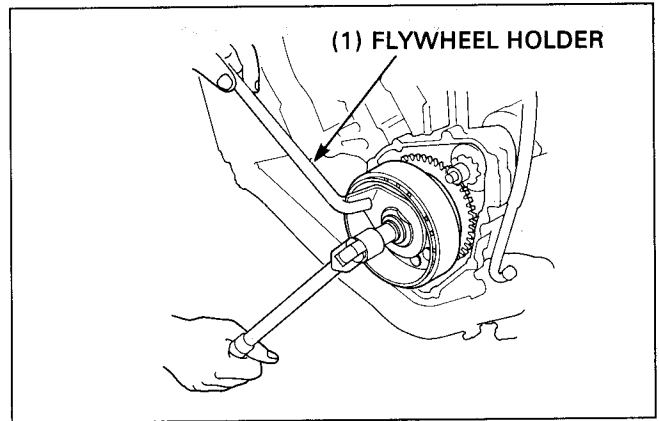
Flywheel Bolt Removal/Installation

Loosen the flywheel bolt while holding the flywheel with a flywheel holder.

S TOOL

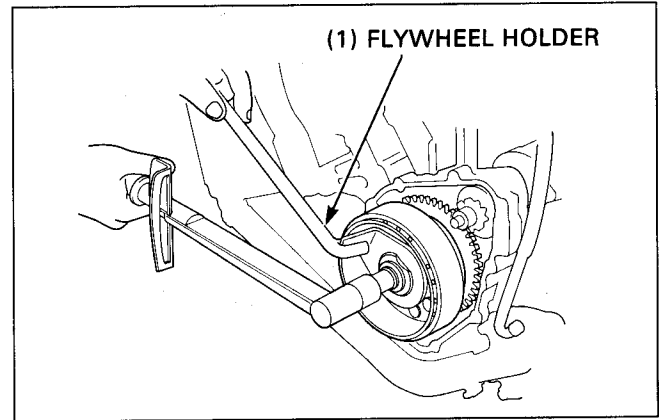
Flywheel holder

07925-ME90000



Tighten the flywheel bolt while holding the flywheel with a flywheel holder.

Torque : 105 N · m (10.5 kg-m, 76 ft-lb)



Starter Clutch Bolt Removal/Installation

Remove the starter clutch bolts while holding the flywheel with a flywheel holder.

S TOOL

Flywheel holder

07725-0040000

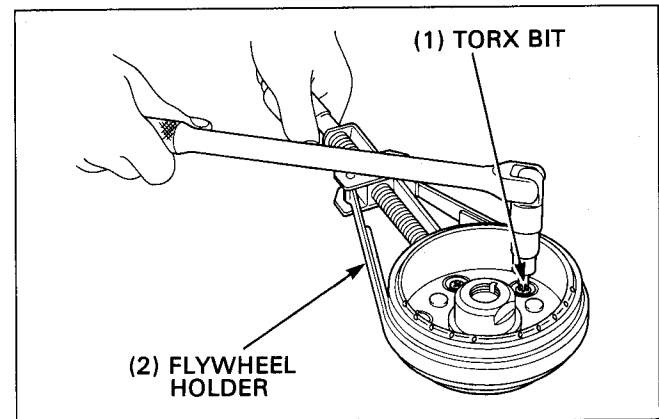
Torx bit (T30)

07703-0010200 or

Equivalent commercially available

Remove the starter clutch.

After removing the starter clutch bolts, clean the locking agent residue off the starter clutch bolts.



Apply a locking agent to the threads of the starter clutch bolts, and tighten them to the specified torque while holding the flywheel with a flywheel holder.

Torque : 16 N · m (1.6 kg-m, 12 ft-lb)

Install the starter driven gear to the flywheel, turning the starter driven gear counterclockwise.

